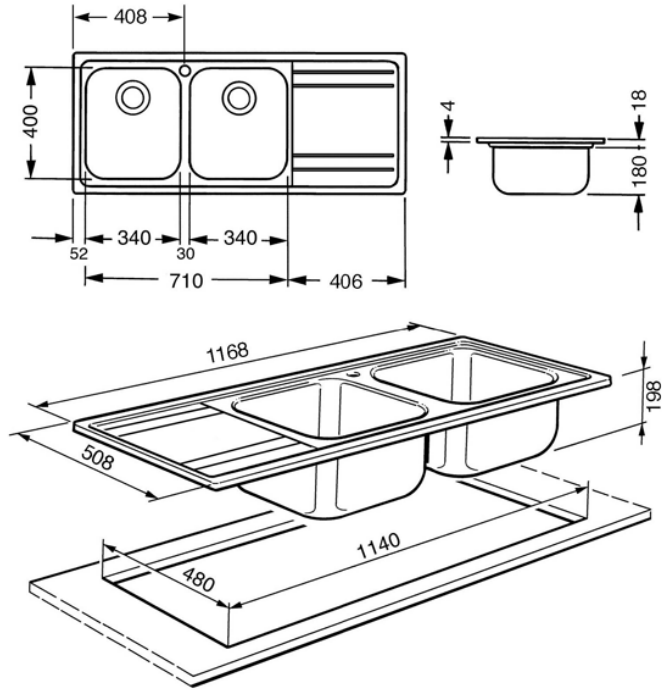


Smeg double-bowl + drainer sink
EAN13: 8017709143282



• satin stainless steel • 1168mmW x 508mmD, 198mmH (excluding drainer) • fftopm ou.t • ff ff24 litre capacity each bowl two bowls + drainer • **warranty** • two years parts and labour