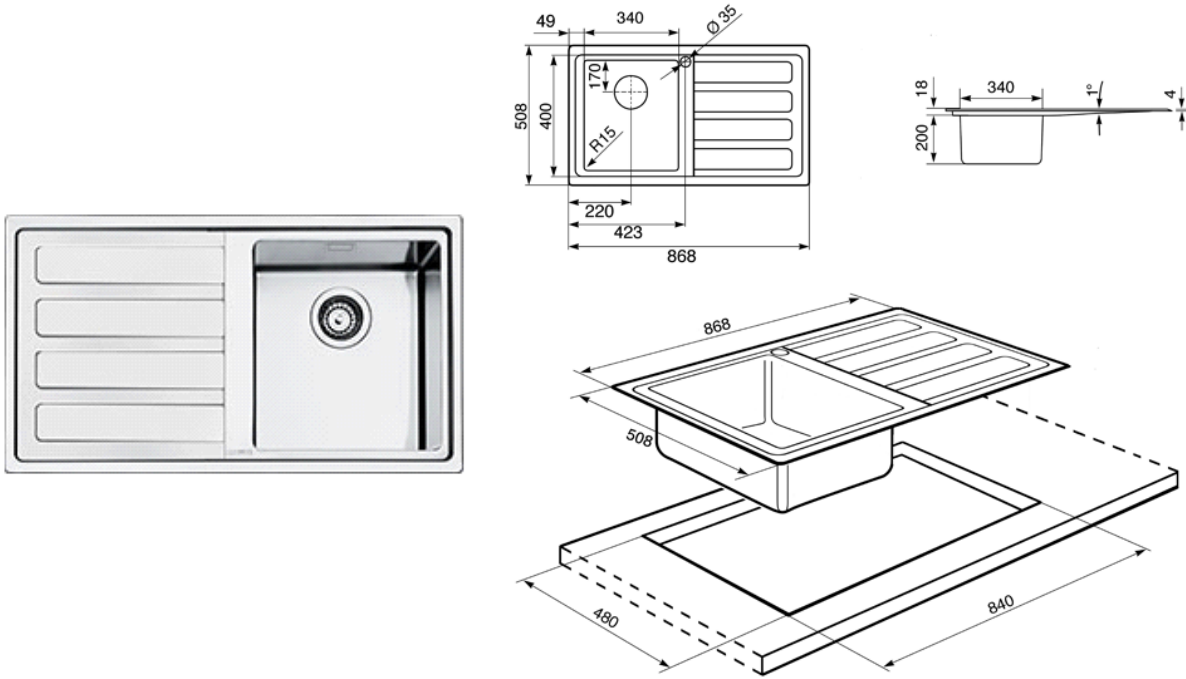


Smeg sink with left-hand drainer
EAN13: 8017709148461



• satin stainless steel • 868mmW x 508mmD, 200mmH • *fftopm ou.t* *ffffff27.2 li.e* capacity *ffone owl + drainer* **warranty**
two years parts and labour