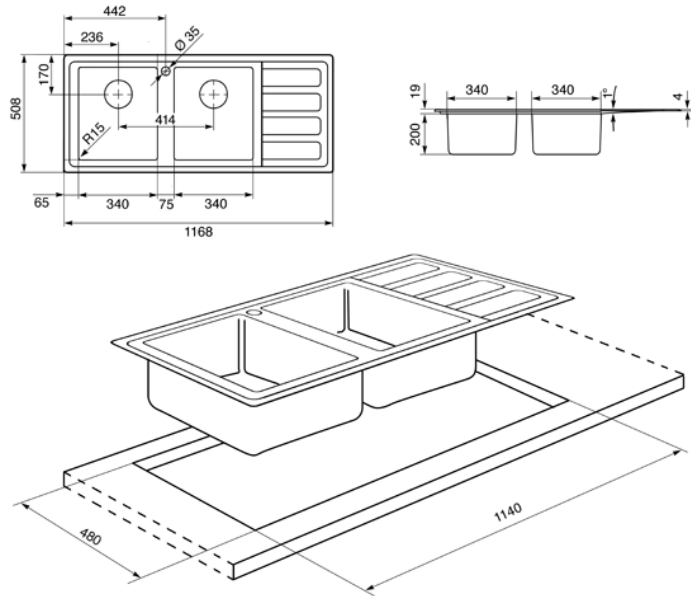
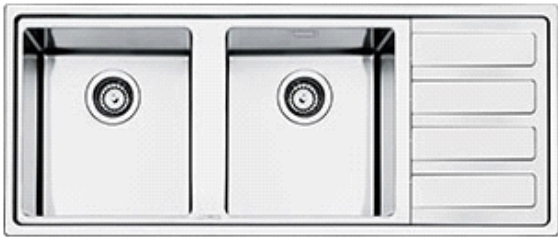


Smeg double-bowl with right-hand drainer
EAN13: 8017709148508



• Stainless steel • 1168mmW x 508mmD x 219mmH • topmount installation • 27.2 litre capacity per bowl • **warranty** • two years parts and labour