

FAB32RLINA1

50's Retro style

Smeg FAB 32 two-door refrigerator-freezer right-hand hinge, frost free
ALSO AVAILABLE LEFT-HAND HINGE FAB32LLINA1

EAN13: 8017709192242

lime green

1926mmH x 600mmW x 720mmD (includes handle)

refrigerator capacity: 228 litre

freezer capacity: 98 litre

326 litre total

refrigerator: automatic defrost

freezer: frost free

2 x thermostats

tropical rating

energy rating

3.5 stars

energy consumption: 323 kWh per year

Standard inclusions

refrigerator

4 x bottle chromed wine rack

3 x crystal glass quick-chill shelves

7 x shelf heights (6 x adjustable)

1 x clear meat keeper

1 x 12-place egg nest (foldable)

inside door

1 x multi-purpose half-width container

1 x fully-lidded full-width dairy container

1 x full-width bottle shelf with restrainer

2 x chromed safety rails (removable)

4 height positions

freezer

2 x drawers

1 x fast-freeze drawer

1 x ice-cube tray



refrigerant

R600a

0.0227kg refrigerator

0.0350 freezer

warranty

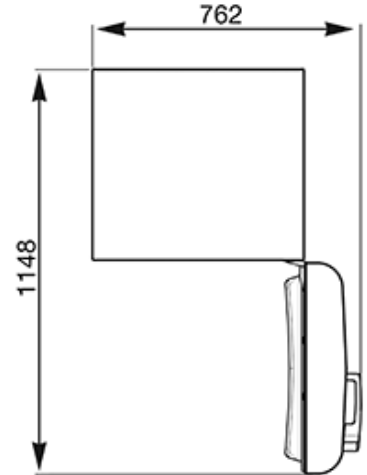
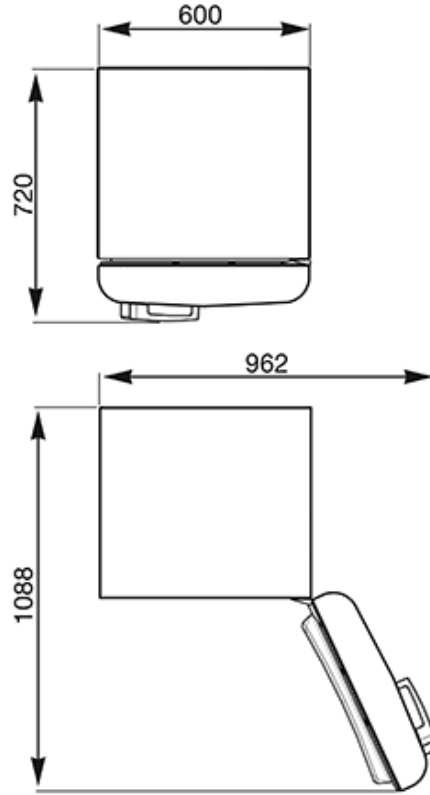
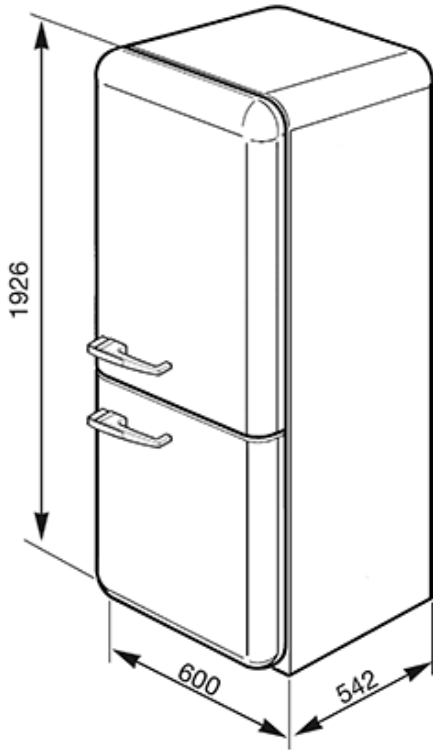
two years on parts and labour

limited five year warranty on evaporator, condenser
and compressors



FAB32RLINA1
50's Retro style

refrigeration
coloured
lime green



Smeg Australia
2 Baker ST, Banksmeadow
NSW 2019
Tel. 8667 4888
Fax 8667 4800