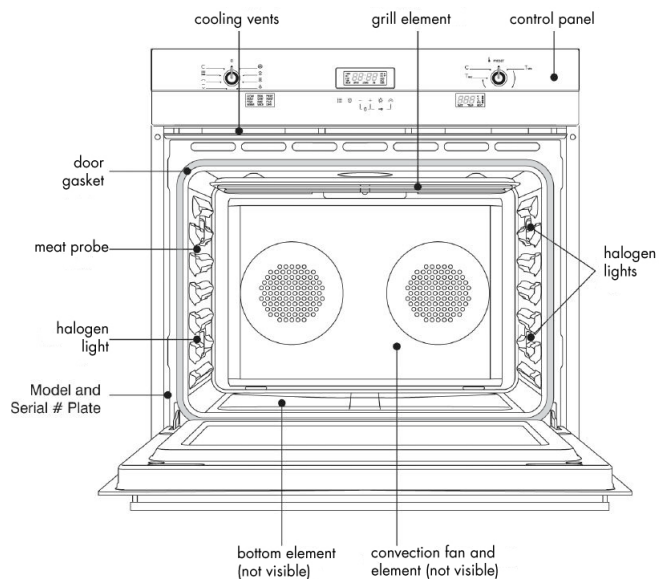


SOA330X

Smeg 76cm pyrolytic oven

							
pyrolytic cleaning	defrost proofing dehydrate warming	static grill	convection	fan forced	fan grill	fan assisted	bakers function



EAN 8017709164409

finish	satin stainless steel, fingerprint proof
size	707mmH x 754mmW x 632mmD
capacity	123 litre usable capacity, 130 litre gross
installation	flushmount — underbench or wallmount NB: can be proud-mounted
cooking levels	six embossed guides 1x pair telescopic shelf guides
multifunction	6 cooking functions pyrolytic cleaning proofing, defrost, dehydrate, warming
programmability	digital clock, time of day, full auto cooking, semi-auto cooking, manual cooking, delay start and automatic end-cooking alarm, minute minder
cleaning	pyrolytic cleaning function
lighting	automatic, 3 x 25W halogen (lights on when door opened)
furniture	<ul style="list-style-type: none"> 3 x chromed-wire shelves (bottom shelf includes 100% telescopic guides) 1 x enamel grill tray with insert meat probe
options	Sabbath function
electricity supply	240V, 50/60 Hz
electrical connection	3800W, must be hard-wired
maximum current	15.8 amp
safety	child safety lock
warranty	two years parts and labour

DEHYDRATE FUNCTION

Dehydrating is similar to convection cooking but holds an optimum low temperature while circulating the heated air to remove moisture slowly for food preservation.

WARMING FUNCTION

Temperature can be set between range 55°C to 100°C.

PROOFING FUNCTION

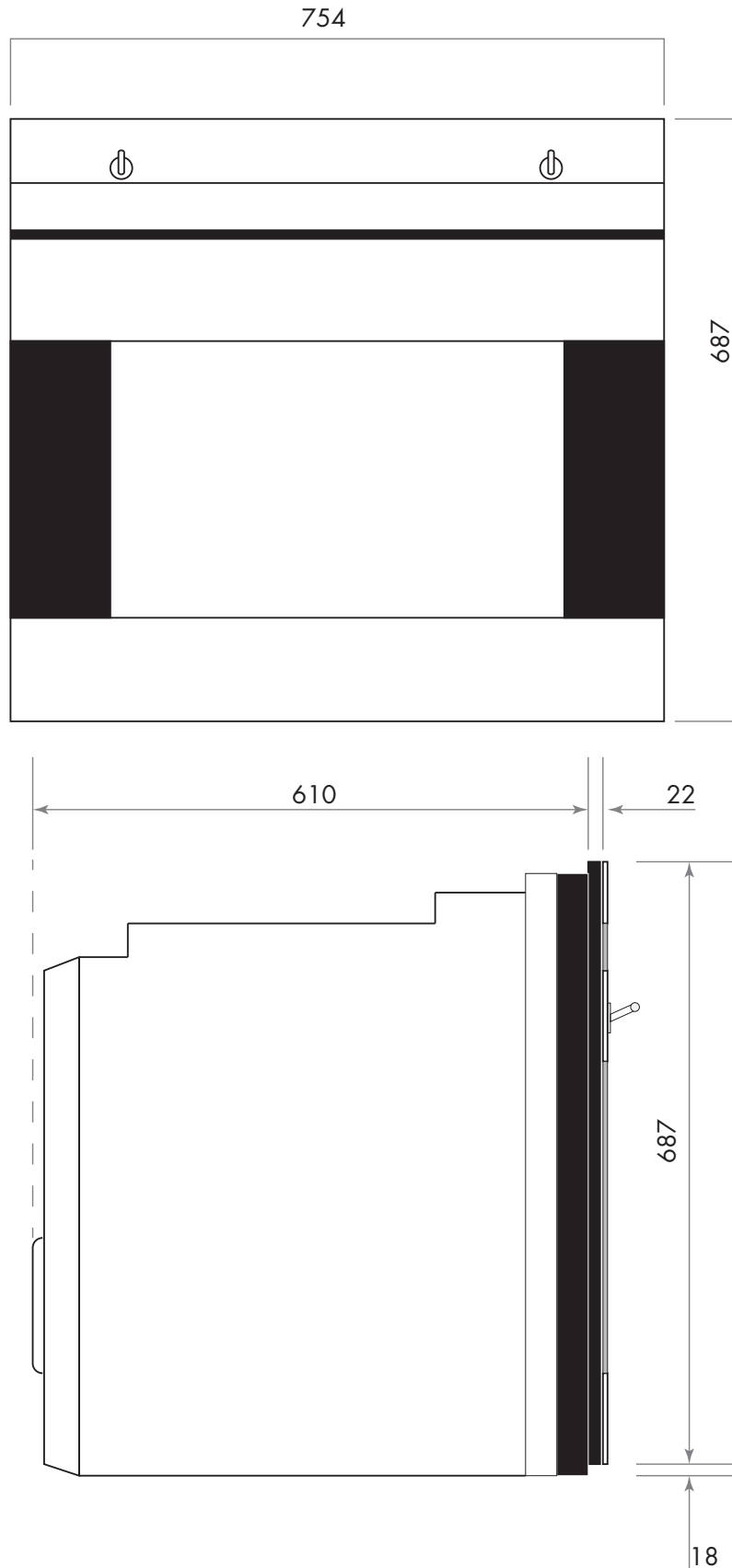
Temperature can be set between range 25°C to 50°C.

SABBATH MODE

This functions allows the user to turn the oven on for a maximum cooking time of 72 hours. Only 'bake' and 'off' settings are available during Sabbath mode.

SOA330X

Smeg 76cm pyrolytic oven



PLEASE NOTE: drawings are not to scale. They are to assist only.