

SFA4390VX1 60CM CLASSIC COMPACT STEAM OVEN



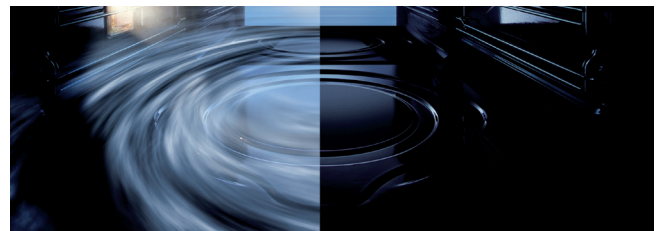
EAN 8017709235901

Dimensions	597mmW x 456mmH x 571mmD
Finish	Fingerprint proof stainless steel Eclipse high visibility black glass
Total functions	5 + 20 SmartSense auto menus incl. Defrost by weight/time
Display	Large LCD
Capacity	50L
Cooking levels	3
Thermostat	30 - 100°C
Water tank capacity	1.2L
Installation	Built-in
Programmability	Fully programmable
Cleaning	Vapour Clean
Lighting	1 x 40 Watt halogen
Supplied accessories	1 x 20mm stainless steel tray 1 x 40mm perforated stainless steel tray 2 x perforated stainless steel compact trays 1 x sponge
Optional accessories	GT1P-2 - Partial telescopic guides GT1T-2 - Total telescopic guides
Safety	Soft Close door, thermal protection system, child safety lock, controls lock, steam stop
Power	220-240V, 50/60Hz 2100W 10A current
Warranty	Two years parts and labour



STEAM

The benefits of steam cooking are well documented – colour and taste is preserved and a healthier vitamin content is retained. Smeg built-in steam ovens produce steam in the base of the oven which rises through the food for an even result. Cleaning a Smeg steam oven is easy without the need for descaling – a simple wipe over with vinegar solution is all that's required.



VAPOUR CLEAN

Smeg's Ever Clean enamel's tough surface has a glassy finish, so a simple spray of water and detergent around the cavity in conjunction with the Vapour Clean option will generate heat and steam to soften any grease for a wipe-clean result.



EVER CLEAN ENAMEL

The superior quality of Smeg's patented Ever Clean enamel, which is highly durable and easy to clean, is the result of nearly 70 years of enameling expertise; ensuring long-life performance of every Smeg oven.



SMARTSENSE

Smeg's SmartSense intuitive program selection is easy-to-read in the large LCD panel. Effortlessly select oven functions, temperature and time for cooking; enter the time you want your meal to be ready and your delay start is calculated for you; or cook 20 pre-programmed favourites at the flick of a button.



SOFT CLOSE DOOR

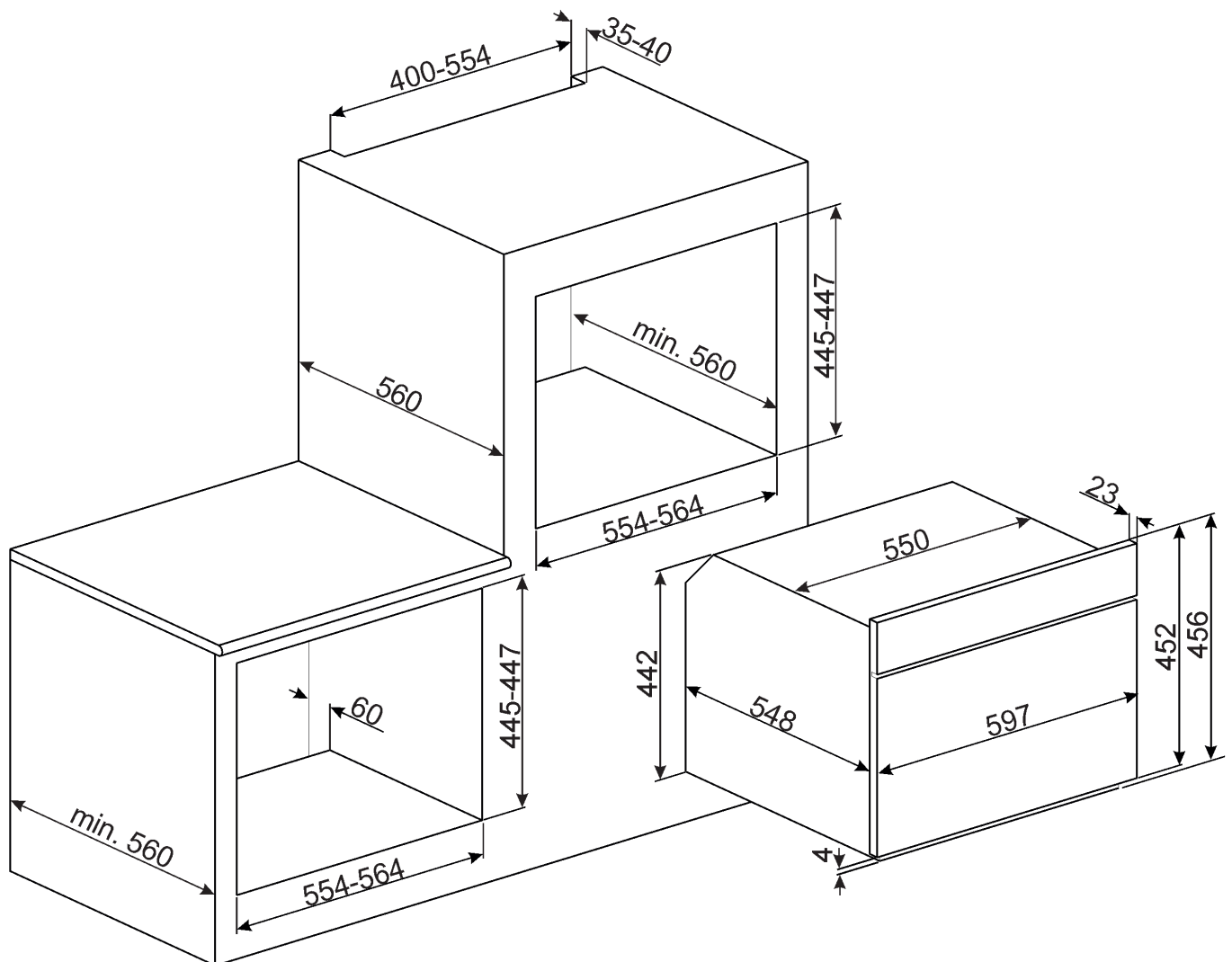
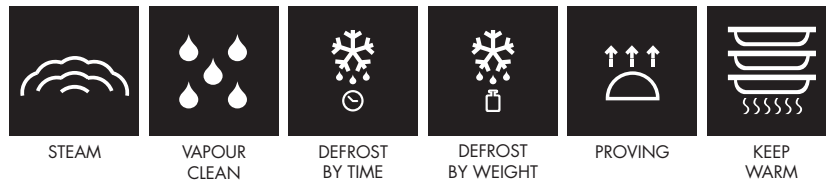
The new soft-close mechanism on Smeg's oven doors ensures a two-stage soft and quiet close. Smeg's quality hinges also ensure the door will not drop on opening, an intrinsic safety feature.

ID170929

SFA4390VX1

60CM CLASSIC COMPACT STEAM OVEN

Functions



PLEASE NOTE: drawings are not to scale. They are to assist only.
 WARNING: technical specifications and product sizes can be varied by the manufacturer without notice.
 Cutouts for appliances should only be by physical product measurements. The above information is indicative only.