

SBQ48X

smeg barbecue rangehood



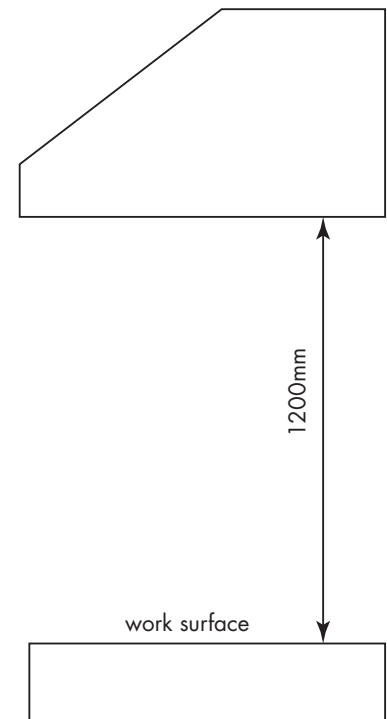
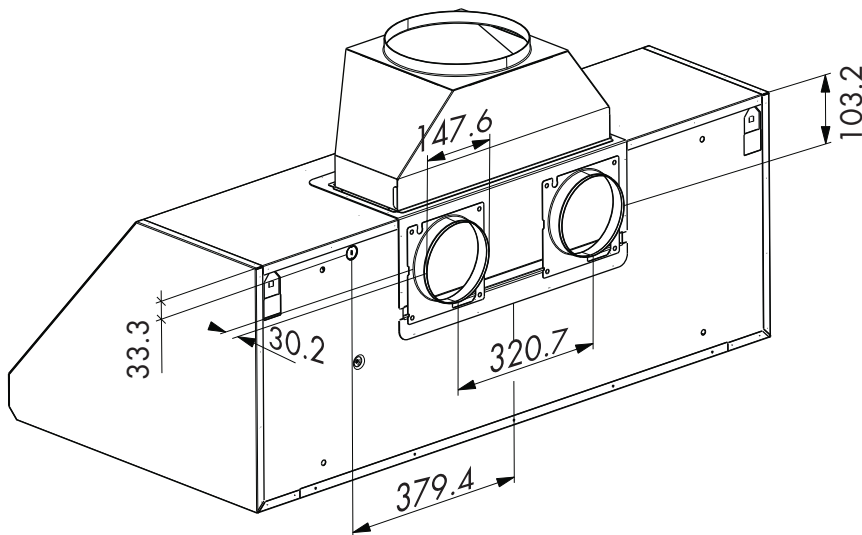
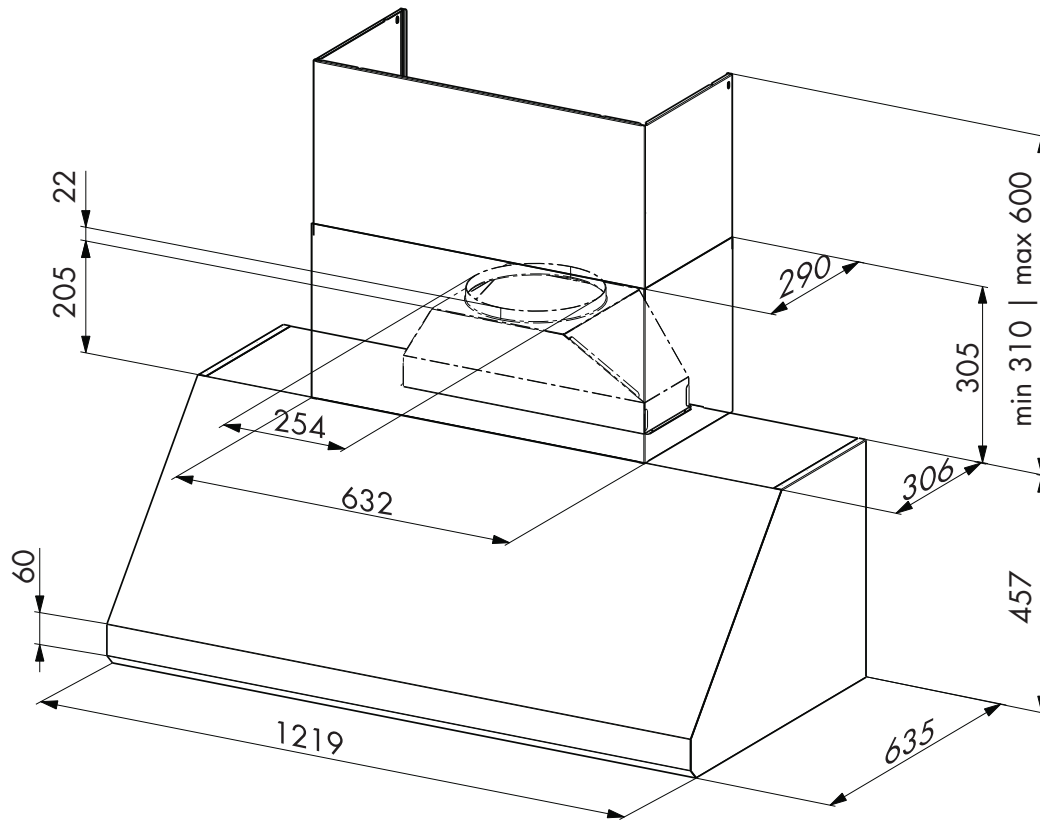
**EAN** 9345025000743

finish	stainless steel
dimensions	1219mmW x 635mmD x 310–600mmH
installation	wallmount
motor	2 x 250W
air extraction	duct direct to atmosphere — 150mm diameter ducting required
capacity	2080m <sup>3</sup> /hr
noise rating	43–65 dBA
illumination	4 X 20W halogen globes
speeds	3, progressive slide
maximum current	0.17 amps
power supply	220–240V, 50Hz 2.1m cable supplied, standard 3-pin, 10 amp plug
supplied	4 x metal baffle filter
weight	44.7kg gross, 32kg net
package dimensions	657x1338x767mm

**NB: INSTALLATION**  
the SBQ48X barbecue rangehood should be installed 1200mm above the working surface of the barbecue from the grease filters in accordance with AS/NZ5601.1:2013.

SBQ48X

smeg barbecue rangehood



**PLEASE NOTE: drawings are not to scale. They are to assist only.**