

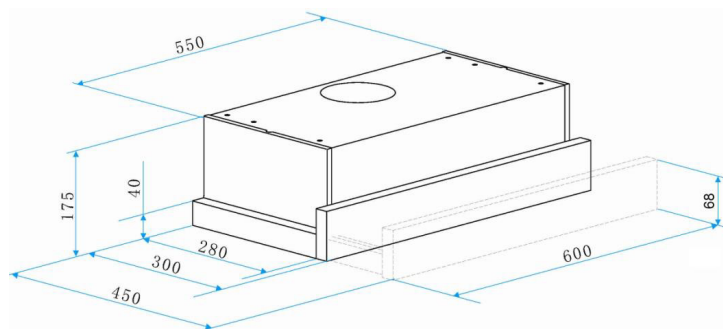
SAH461SS

smeg 60cm front-recirculating retractable rangehood

COMMERCIAL ONLY PRODUCT



EAN	9345025001450
dimensions	600mmW x 300mmD x 175mmH
fascia rail	68mmH stainless steel, front recirculating
motor	100 watt
speeds	3 speed, side switch
lighting	2 x 3W LED
noise rating	38-52 dBA (IEC 60704-3)
capacity	250m <sup>3</sup> /hr (IEC 61591)
filter	2 x Aluminium filters with charcoal layer inserted
supplied	<ul style="list-style-type: none"> <li>• 100mmH spigot adaptor for 125mm diameter ducting direct to atmosphere</li> <li>• template</li> <li>• instructions for installation, operation, maintenance</li> </ul>
electricity supply	240 volt, 50Hz
electrical connection	connected one-metre power cord with 3-pin 10 amp plug
total wattage	106 watts
packaged dimensions	660mmW x 355mmD x 225mmH



NB: Drawings are not to scale — they are to assist only