

# PXL664AU

## 60CM LINEA BLADE FLAME GAS COOKTOP

**MADE IN ITALY**  
Since 1948



<b>Dimensions</b>	600mmW x 510mmD x 92mmH
<b>Finish</b>	Stainless steel
<b>Capacity</b>	4 burner Front left 4.0 mj/hr Rear left 10.4 mj/hr Front right 6.1 mj/hr Rear right 6.1 mj/hr
<b>Warranty</b>	Five years parts and labour

### LOW ENERGY CONSUMPTION

Blade Flame's single, vertical flame ensures extremely efficient use of gas. When cooking, even, optimal heat is delivered directly to the base of the cooking vessel, reducing heat loss.

### SUPERIOR PERFORMANCE

The Blade Flame gas burners are patented and exclusive to Smeg. They deliver a continuous ring of vertical flame to guarantee maximum heat transfer, reduce heat dispersion and increase efficiency by 20% compared to standard gas burners.

### TITANIUM COATED PAN STANDS

Each Blade Flame pan stand has been coated in a special premium titanium coating for longevity and durability and can resist high temperatures up to 1100°C

### EASY CLEAN CERAMIC SURFACE

For maintenance of the highly durable ceramic surface, simply wipe with a damp cloth after use to clean any spills.

### FLAME FAILURE DEVICE

Safety fitted to all burners, the Flame Failure Device ensures that should a flame be extinguished accidentally, the gas supply to the specific burner is stopped. The burner can only then be reignited by following normal ignition procedure.

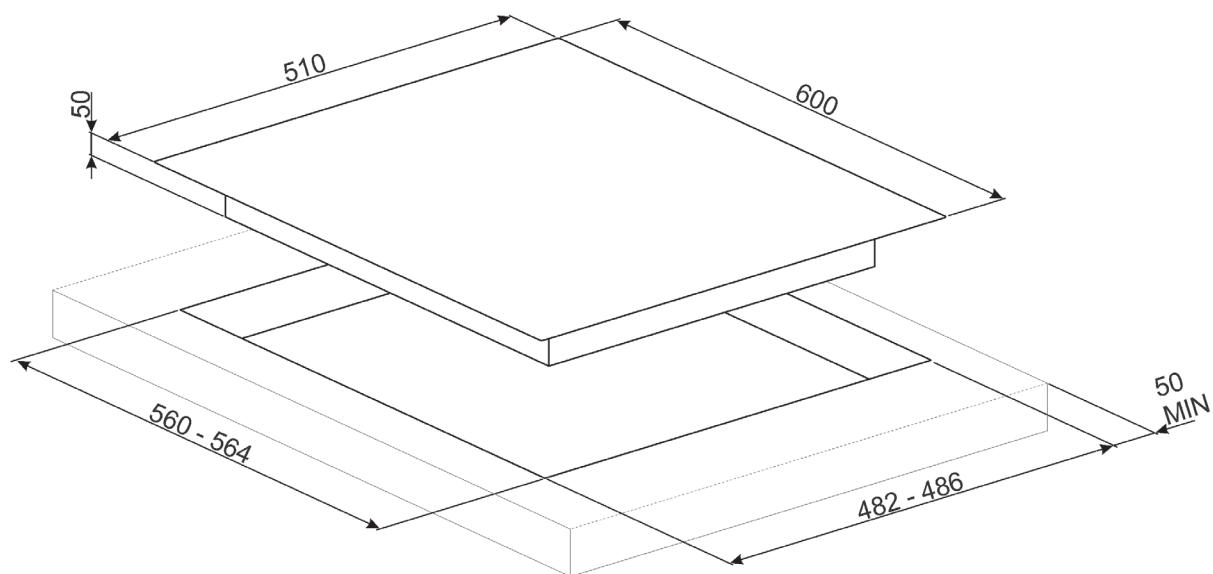
# PXL664AU

## 60CM LINEA BLADE FLAME GAS COOKTOP

MADE IN ITALY  
Since 1948

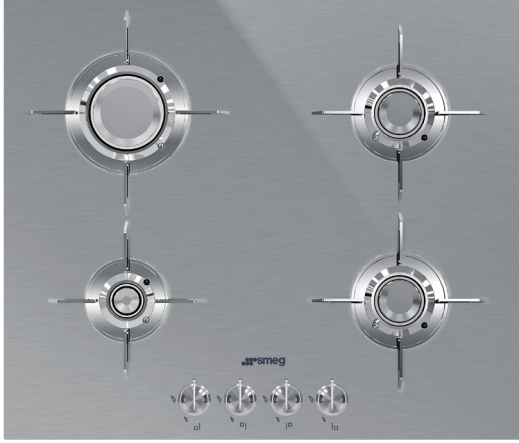
### COOKTOP FEATURES

Dimensions	600mmW x 510mmD x 92mmH
Finish	Stainless steel
Installation	Top mount or flush mount
Capacity	4 burner Front left 4.0 mj/hr Rear left 10.4 mj/hr Front right 6.1 mj/hr Rear right 6.1 mj/hr
Ignition	Automatic electronic
Gas Connection	Set for natural gas — regulator supplied Adaptable for ULPG — no regulator required
Power	220-240 V 50/60Hz 1W
Safety	Flame failure device
Warranty	Five years parts and labour



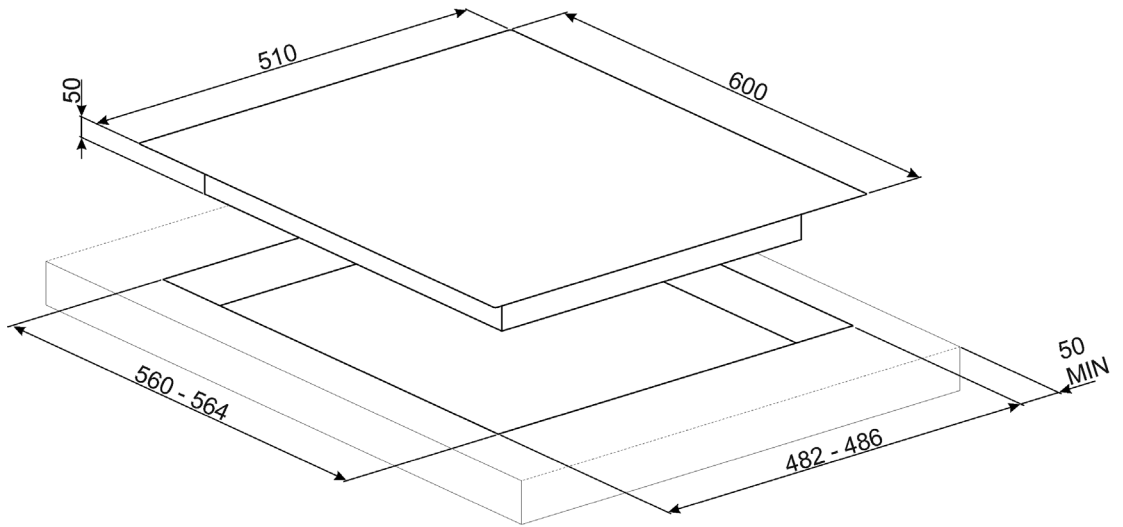
**PXL664AU**  
60CM LINEA BLADE FLAME GAS COOKTOP

**MADE IN ITALY**  
Since 1948



Dimensions	600mmW x 510mmD x 92mmH
Power	220-240 V 50/60Hz 1W
Warranty	Five years parts and labour

TOPMOUNT



FLUSHMOUNT

