

# PX1 64LAU

## 60CM LINEA GAS COOKTOP

**MADE IN ITALY**  
Since 1948



<b>Dimensions</b>	600mmW x 510mmD x 40mmH
<b>Finish</b>	Stainless Steel
<b>Capacity</b>	4 Burner Left - 15.0 mj/hr Front center - 4.8 mj/hr Rear center - 6.0 mj/hr Right - 11.5 mj/hr
<b>Warranty</b>	Five years parts and labour

### 4 BURNER

Smeg's spacious cooktop offers multiple burners ergonomically positioned to cater to several styles of cooking at any one time. Pots and pans are neatly contained within one safe area instead of occupying otherwise precious bench space.

### 15 MJ/HR WOK BURNER

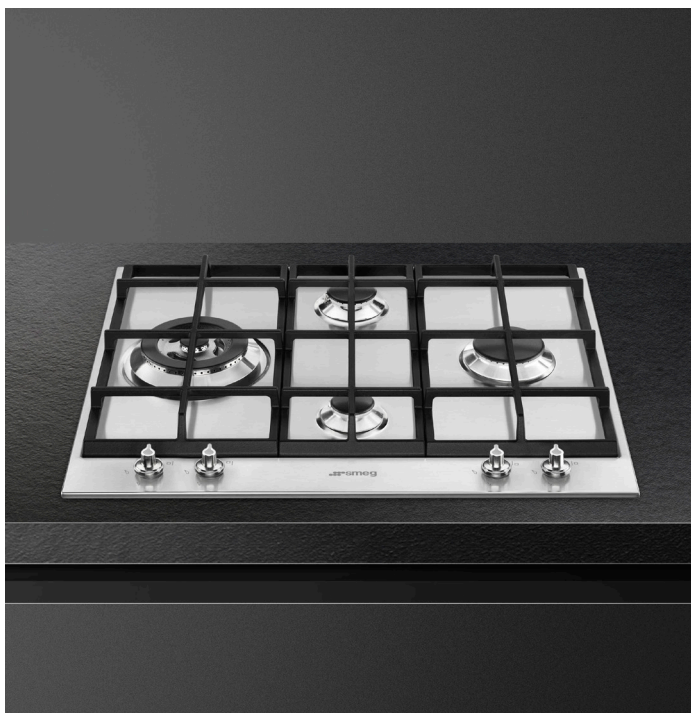
Located on the left, this large and versatile burner suits woks, pots, saucepans and griddles. Whether it's used for easy stir-fry meals or controllable low simmers, it adds a whole new repertoire to your cooking.

### FLAME FAILURE DEVICE

Safety fitted to all burners, the Flame Failure Device ensures that should a flame be extinguished accidentally, the gas supply to the specific burner is stopped. The burner can only then be reignited by following normal ignition procedure.

### CAST IRON TRIVETS

The solid cast-iron trivets cover the cooktop, creating a harmonious and ergonomic surface onto which pots can be placed and moved safely and securely. In addition to providing a highly professional look, these ensure excellent performance, which remains unaffected over time.



# PX164LAU

## 60CM LINEA GAS COOKTOP

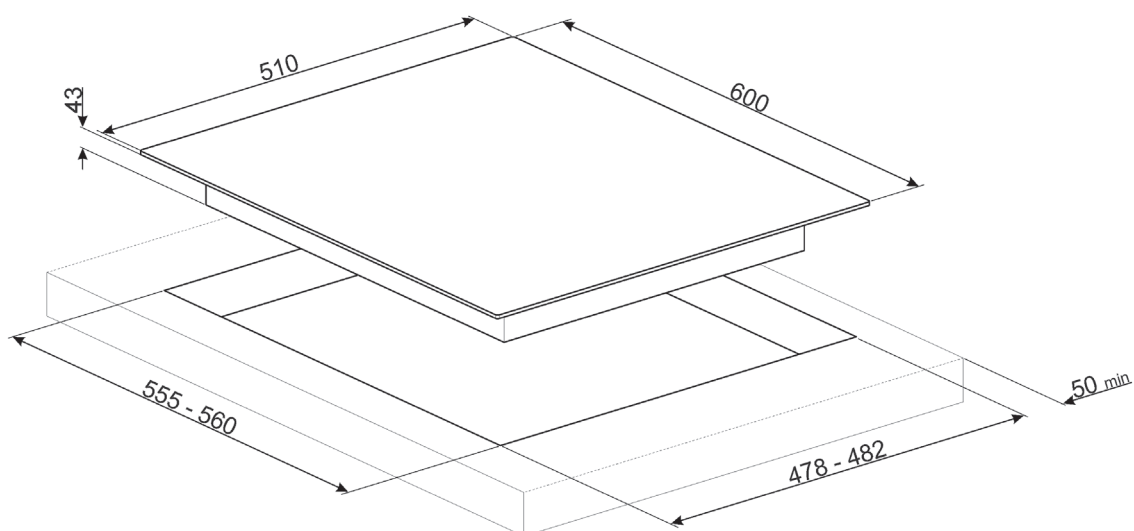
**MADE IN ITALY**  
Since 1948

### COOKTOP FEATURES

Dimensions	600mmW x 510mmD x 40mmH
Finish	Stainless Steel
Installation	Topmount
Capacity	4 Burner Left - 15.0 mj/hr Front center - 4.8 mj/hr Rear center - 6.0 mj/hr Right - 11.5 mj/hr
Ignition	Automatic electronic
Gas Connection	Fitted for natural gas: regulator supplied adaptable for ULPG: no regulator required
Power	220-240 V 50/60Hz 10A
Safety	Flame failure device (FFD) fitted to each burner
Warranty	Five years parts and labour

### SUPPLIED ACCESSORIES

1 x set of cast-iron trivets



**PX164LAU**  
60CM LINEA GAS COOKTOP

**MADE IN ITALY**  
Since 1948



Dimensions	600mmW x 510mmD x 40mmH
Power	220-240 V 50/60Hz 10A
Warranty	Five years parts and labour

