

LE102A

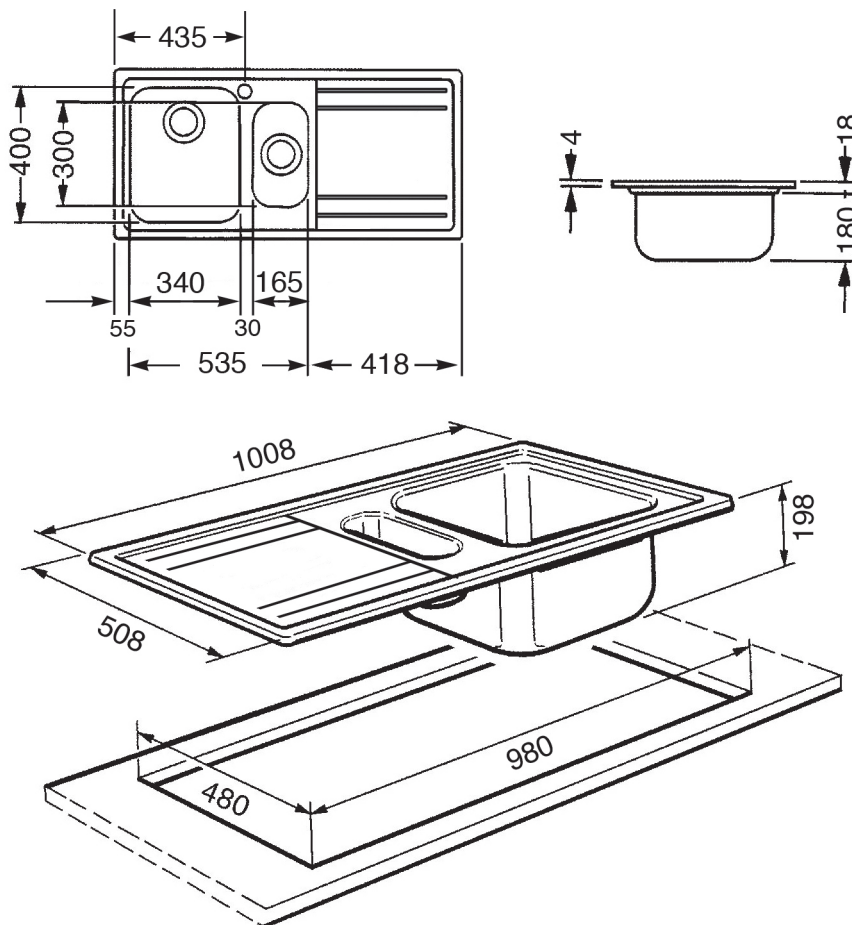
Smeg 1.5 bowl + drainer sink, topmount



(NB: tap shown not included)

EAN 8017709143299

- satin stainless steel
- 1.5 bowls + drainer
- topmount
- 1008mm x 508mm, 198mm high (excluding drainer)
- L or R drainer — no taphole, punched on request
- main bowl: 24 litre capacity
- auxiliary bowl: 10 litre capacity
- packaged dimensions: 1135X620x280mm
- weight: 8.1kg



OPTIONAL ACCESSORIES

