

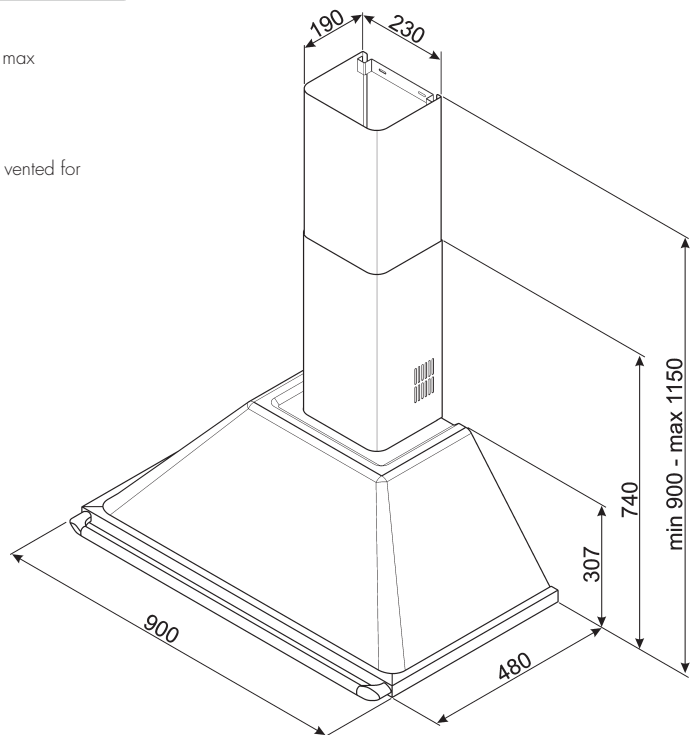
KT90PA

smeg 90cm wallmount rangehood



**EAN** 8017709217112

finish	cream enamel
dimensions	900mmW x 480mmD (excluding rail) x 900 - 1150mmH max
installation	wallmount
motor	1 x 275W
air extraction	duct direct to atmosphere or recirculate to kitchen (chimney vented for optional recirculation) (150mm ducting required)
capacity	788m <sup>3</sup> /hr (IEC 61591)
noise rating	41-56 dBA maximum (IEC 60704-3)
illumination	2 x 2W LED (white)
speeds	4
power supply	220-240V, 50-60Hz 1.6m standard 10A GPO
supplied	3 x aluminium grease filters
optional	charcoal filter part #FLT6
warranty	2 years parts and labour



**PLEASE NOTE: drawings are not to scale. They are to assist only.**