

KSE110ABL | smeg 110cm wallmount rangehood



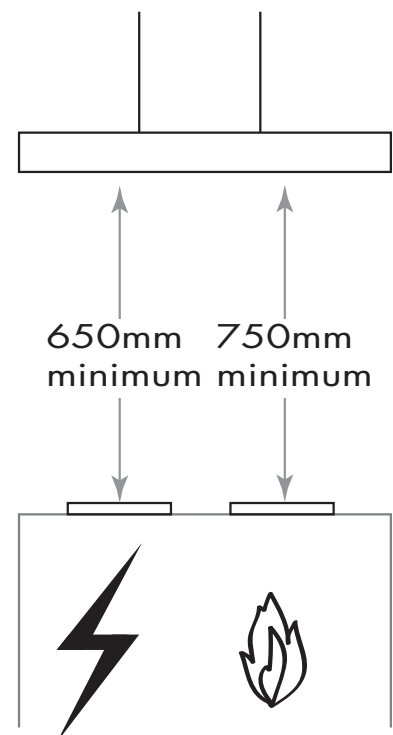
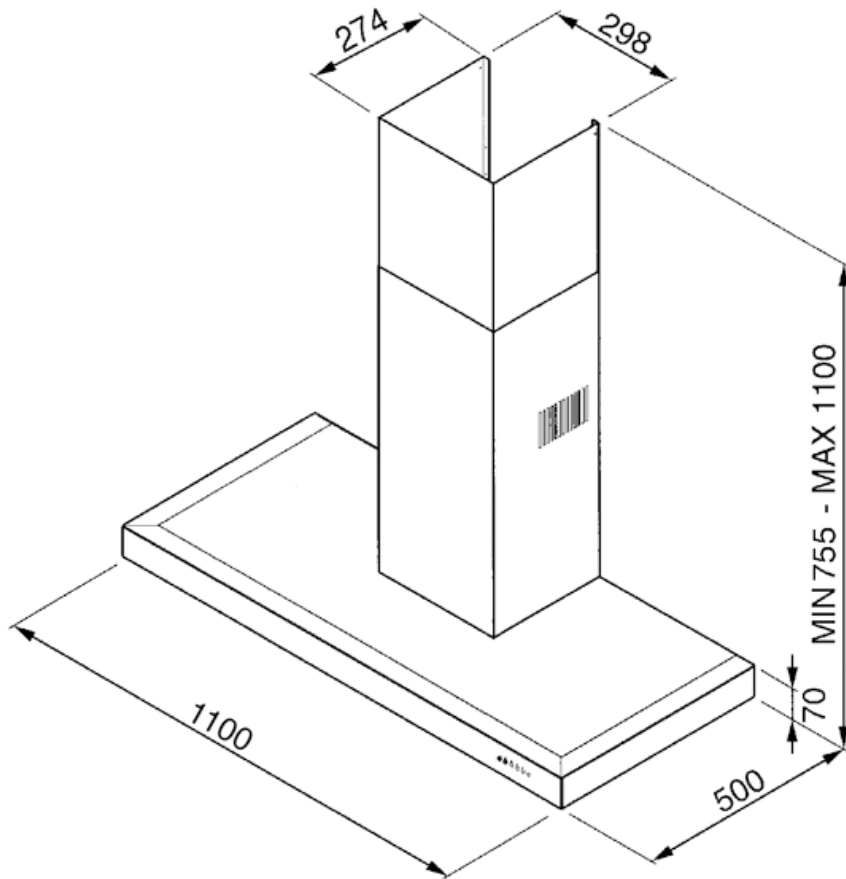
EAN | 8017709183138

size	1100mmW x 500mmD x 755mmH min – 1100mmH maximum
finish	black enamel
capacity	255–665m ³ /hr max airflow
installation	wallmount
air extraction	duct direct to atmosphere or recirculate to kitchen (upper chimney vented for optional recirculation)
ducting	150mm ducting required
speeds	four — automatic switch-off) (10 minute timer) for each speed
motor	215W
illumination	2 x 20W halogen
filtration	3 x stainless steel grease filters filter replacement prompt 150mm vent outlet
noise rating	44–68 dBA maximum
power cable	1.6 metre connected, suits standard 10 amp GPO
voltage	220–240V, 50–60Hz 1.6m standard 10A GPO
warranty	two years parts and labour

	extraction rate (IEC 61591) m ³ /hr	noise level (IEC 60704-2-13) dBA
speed 1	255	44
speed 2	333	51
speed 3	437	57
speed 4	665	68

PLEASE NOTE: drawings are not to scale. They are to assist only.

KSE110ABL smeg 110cm wallmount rangehood



PLEASE NOTE: drawings are not to scale. They are to assist only.