

K3039P SMEG 90CM WALLMOUNT RANGEHOOD



EAN 8026493058702

Finish	Stainless steel & rail
Dimensions	900mmW x 500mmD x 967mmH max
Installation	Wallmount
Motor	1 x 250W
Max Airflow	800m ³ /hr (IEC 61591)
Noise rating	52-70dBA (IEC 60704-3)
Illumination	2 x 2.5W LED
Speeds	Four
Delay stop	None
Supplied Accessories	3 x stainless steel grease filter
Optional Accessories	None
Ducting Options	duct to atmosphere / recirculate — 150mm diameter ducting required
Power	220–240V, 50Hz 10A
Warranty	two years parts and labour

PERFORMANCE

With air extraction of 800m³/hr the more intense styles of cooking, eg stir frying, are catered for.

MAINTENANCE

Wipe-over clean commercial grade 18/10 stainless steel; stainless steel mesh grease filters can be washed in warm soapy water. Easily-accessible long-life halogen globes.

QUIETNESS

52–70 dBA — motor/impellor encasement and internal flue are smooth-walled to eliminate air drag and noise; hand-finished welded metal joins for no vibration.

SAFETY

Thermal overload protector on motor; fire-retardant hardened metal and mesh. VO self-extinguishing polycarbonate for motor housing and internal flue.

DUCTING

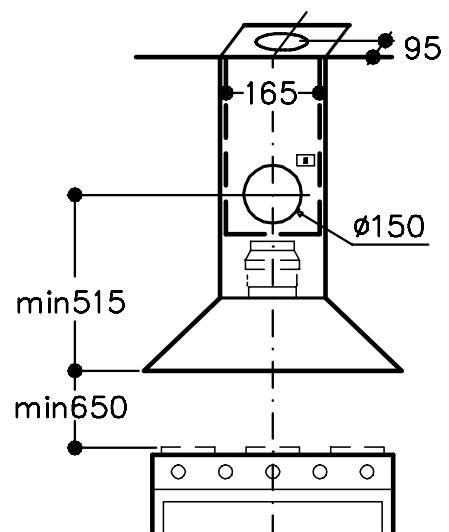
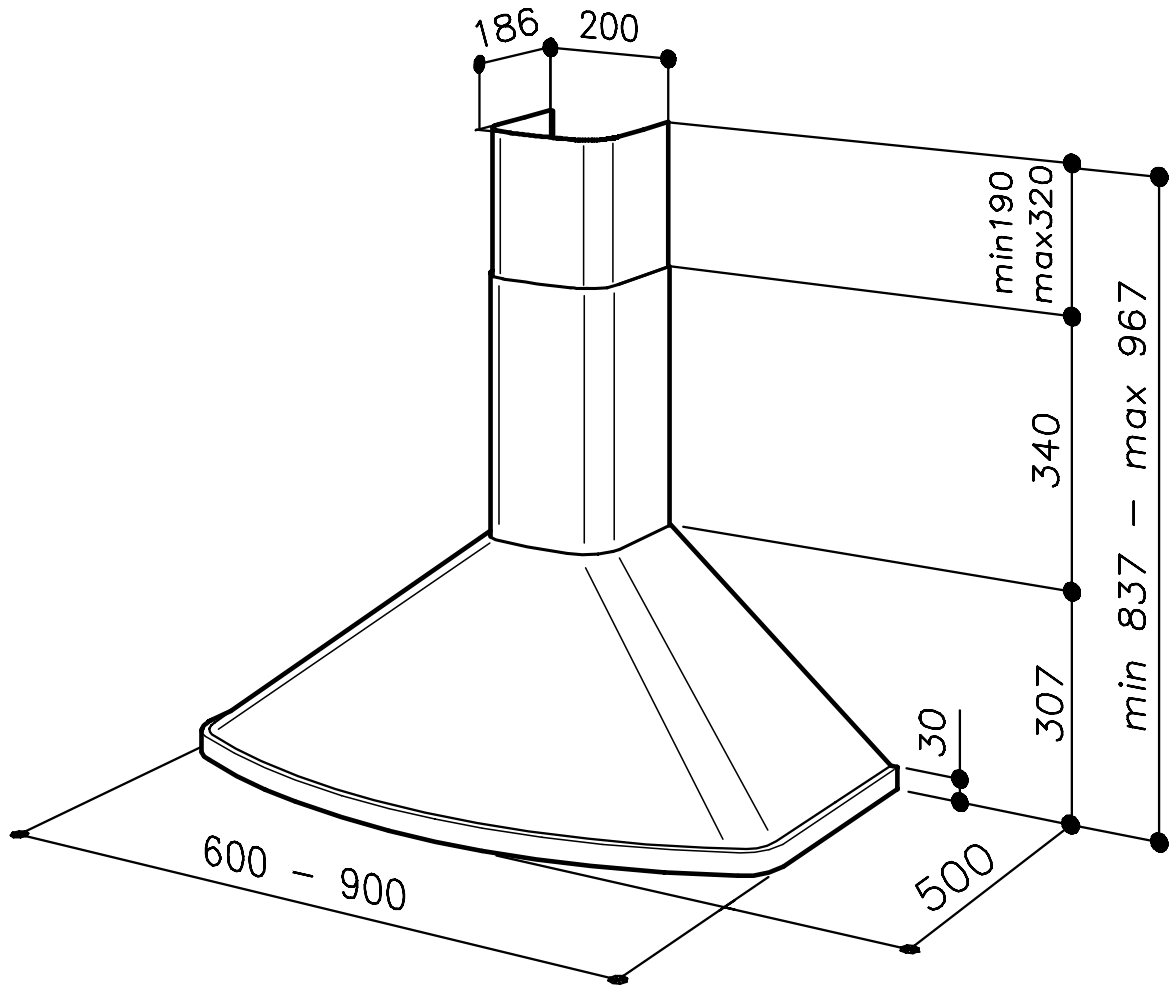
Extracting the air direct to atmosphere ensures maximum removal of grease/oil/particle-laden vapour, odours — resulting in a cleaner, more comfortable cooking environment.

RECIRCULATION

A recirculation kit is supplied for when ducting to atmosphere is not feasible (eg rangehood is mounted on an internal wall and/or there is another storey above).

An activated charcoal filter can be fitted to each side of the centrifugal motor. These filters cannot be washed; they are replaceable.

RANGEHOODS



PLEASE NOTE: drawings are not to scale. They are to assist only.
WARNING: technical specifications and product sizes can be varied by the manufacturer without notice.
Cutouts for appliances should only be by physical product measurements. The above information is indicative only.

ID160620