

K24X90

smeg 90cm wallmount rangehood

COMMERCIAL ONLY PRODUCT



EAN 8026493012179

finish	satın stainless steel
size	900mmW x 500mmD — maximum height 1140mm
installation	wallmount
motor	135 watt capacitor start, centrifugal, double impellor, two-directional air uptake
air extraction	exhaust to atmosphere or recirculate to kitchen NB: recirculation panel supplied
capacity	510m ³ /hr net, 683m ³ /hr gross
speeds	three plus OFF push buttons
illumination	two 40 watt SES tubular globes, separate ON/OFF button
filtration	2 x aluminium 4-ply grease filters, removable, washable
noise	44–60 dBA
ducting	150mm or 125mm diameter ducting required NB: 150/125mm diameter adaptor supplied
recirculation	lower chimney vented for optional recirculation, recirculation panel provided
optional	<ul style="list-style-type: none"> • charcoal filter pair, part no 08999801 • half stainless steel wall plate, 600mmW x 650mmH, code 14201 • extra-long upper chimney piece, 800mm net length; stainless steel code 9955
warranty	two years parts and labour

APPLICATION

Designed for wall mounting above a cooktop, the K24, with two-part telescopic flue, is perfect for kitchens with heights to 2690mm (approximately 8'10"). Small increments in greater than 2690mm heights can be gained by increasing the bench height and/or increasing the gap between the underside of the hood and benchtop.

PERFORMANCE

With a true net air extraction of 510m³/hr net an hour, the more vigorous styles of cooking, such as pasta boiling, griddle and stir frying, are catered for. At the touch of the speed control, the power can be switched down for the gentlest of simmers.

LOW MAINTENANCE

Easy cleaning is a premium with wipe-over 18/10 grade stainless steel surface. A single lift-out stainless steel and aluminium four-ply grease filter can be hand washed. The lighting and speed controls are underslung and forward away from most of the vapour trail and there is easy access to the twin light globes.

QUIETNESS

44 to 60 dBA. The motor/impellor encasement and internal flue are smooth-walled to eliminate air drag and noise, hand-finished welded metal joints for no vibration.

SAFETY

Thermal overload protector on motor; fire-retardant hardened metal and mesh. VO self-extinguishing polycarbonate for motor housing and internal flue.

DUCTING

Extracting the air direct to atmosphere ensures the maximum removal of grease/oil/particle-laden vapour, odours and, very importantly, the heat, resulting in a cleaner, more comfortable cooking environment. An internal ducting pipe could, ideally, continue in a straight line within the decorative flue to the kitchen roof, then through the roof cavity and exit via a roof cowl.

If the rangehood is mounted against an internal wall, the ducting could, as effectively, exit at the rear anywhere along the vertical line of the concealing decorative flue and at a position that is structurally feasible for an external wall cowl.

RECIRCULATION

When cooking vapours cannot be ducted to the atmosphere, that is, the rangehood is mounted on an internal wall and/or there is another storey above, the supplied recirculation panel is inserted into the telescopic flue

CHARCOAL FILTERS

In the recirculation mode, the rangehood is also sending cooking odours back into the kitchen. An activated charcoal filter disc can be fitted to each side of the centrifugal motor (part number for pair 08999801) to effectively diminish the cooking odours. They are not to be washed and are replaceable.

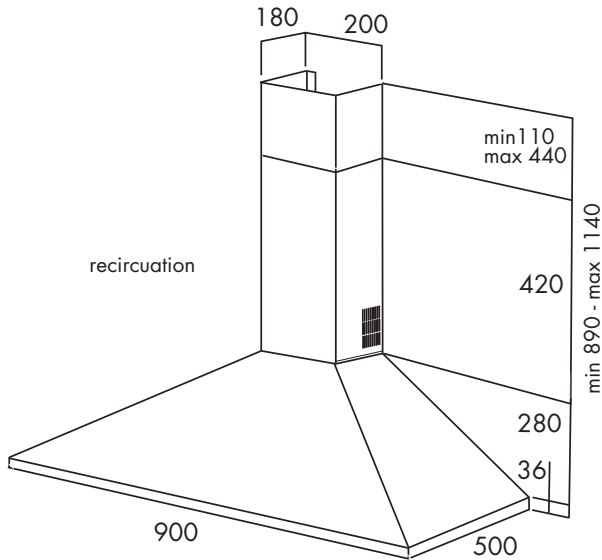
DUCTED MATERIAL

The smooth internal walls of either galvanised sheetmetal piping or high temperature resistant PVC will assist in both greater unobstructed air flow and quieter operation. Flexible ducting can be considered for the very short run and difficult bends.

K24X90

smeg 90cm wallmount rangehood

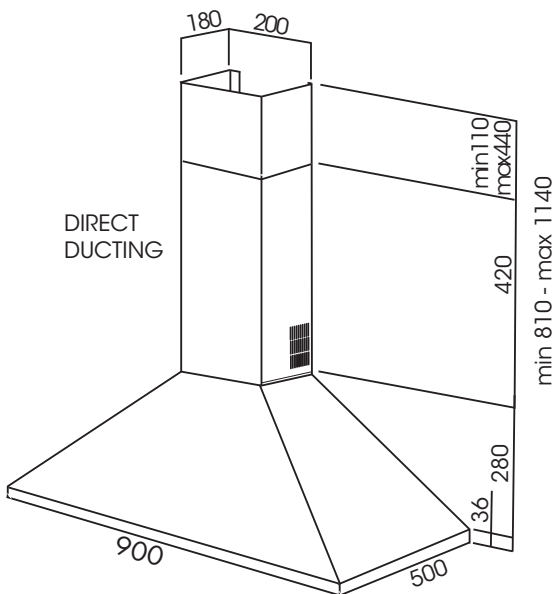
COMMERCIAL ONLY PRODUCT



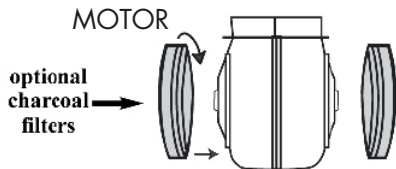
recircuation

min 110 - max 1140

min 810 - max 1140

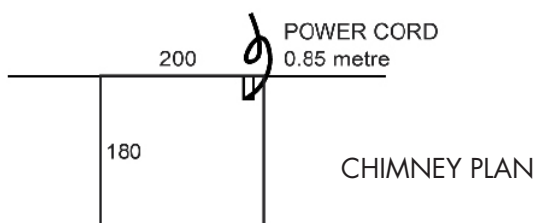


DIRECT DUCTING



MOTOR

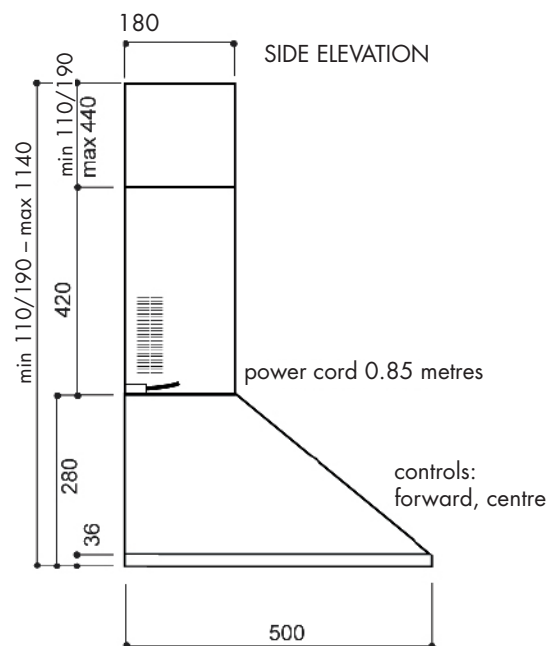
optional charcoal filters



POWER CORD 0.85 metre

CHIMNEY PLAN

height	810mm min, 1140mm max (direct duct)
width	600mm
depth	500mm
packaged dimensions	975mm x 460mm x 620mm = 0.278m ³
weight	12.8kg net, 16.8kg gross
air extraction	510m ³ /hr net, 683m ³ /hr gross
noise rating	44-60 dBA
electricity supply	240 volt, 50 Hz
electrical connection	connected power cord with 3-pin plug suitable for standard 10 amp GPO
power cord length	85 cm
wattage	motor 135 watts lights(2) 40 watt SES tubular each total 215 watt
current	0.9 amp
air exit aperture	150mm diameter NB: a 150/125mm diameter adaptor is supplied
duct to atmosphere	150mm or 125mm duct pipe required
supplied	<ul style="list-style-type: none"> • instructions for installation, operation and maintenance • screws for wall mounting • recirculation panel (optional use) • one-way 150mm diameter butterfly valve (optional use) • 150mm -125mm diameter air exit aperture collar adaptor



SIDE ELEVATION

power cord 0.85 metres

controls: forward, centre

PLEASE NOTE: drawings are not to scale. They are to assist only.