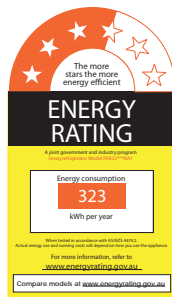


FAB32

50'S STYLE RETRO REFRIGERATOR



Finish	Orange, Pastel blue, White, Blue, Black, Pink, Red, Silver, Pastel green, Lime green
Dimensions	600mmW x 1926mmH x 720mmD (includes handle)
Gross Capacity	Refrigerator: 229L Freezer: 75L Total: 304L

REFRIGERATOR

No. Shelves	3 x Quick chill glass 1 x Bottle rack 1 x Crisper cover
No. Drawers	1 x Crisper drawer
Lighting	LED

Inner Fridge Door)

No. Shelves	1 x shelf with transparent cover 3 x adjustable with wire support 1 x bottle shelf with wire support
-------------	--

Accessories	1 x Egg tray
-------------	--------------

FREEZER

No. Shelves	n/a
No. of drawers	2 x plastic drawers 1 x compartments with flap door
Accessories	1 x Ice box 1 x Fast freezing compartment

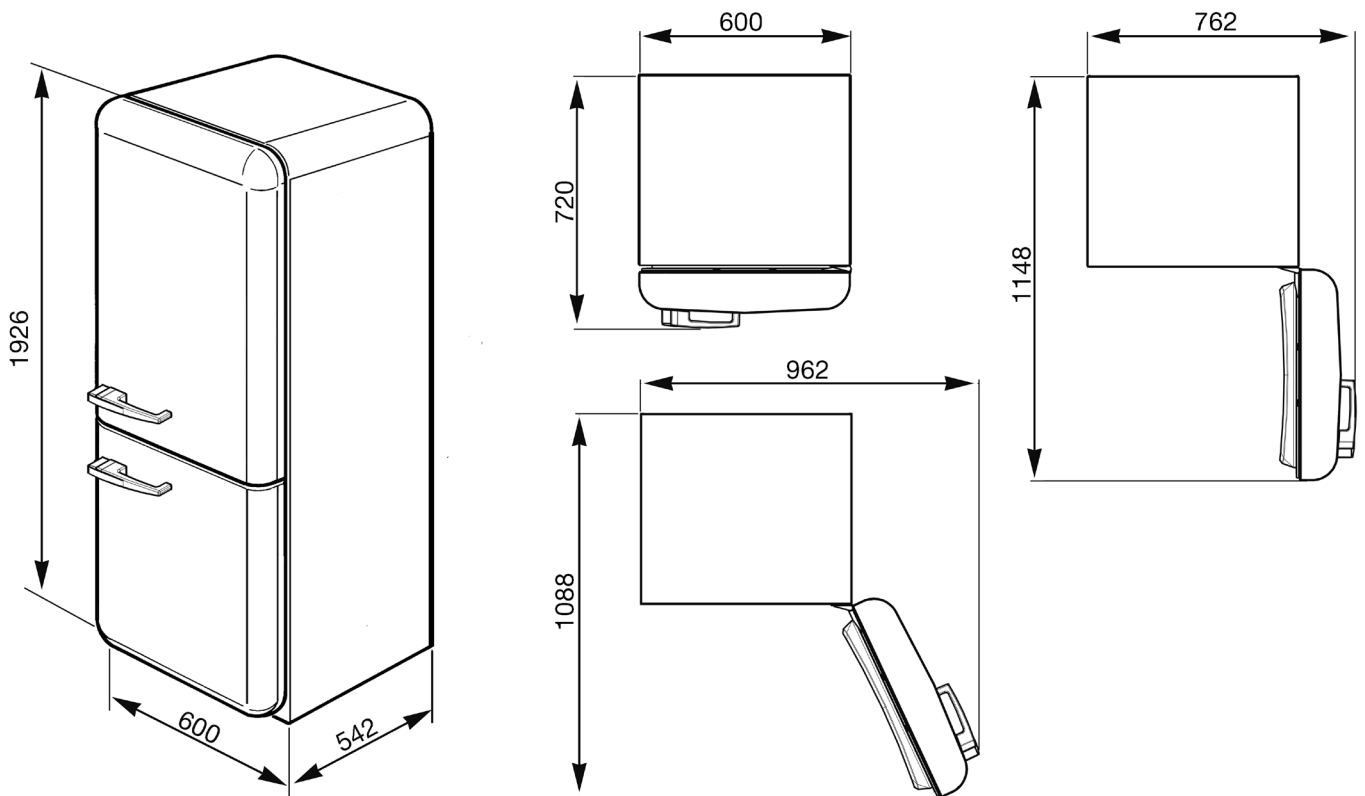
Defrost	Total Frost Free
---------	------------------

Performance

Energy Consumption	323kWh/year
Star Rating	3.5 Star
Noise	41 dBA
Power	220-240V, 50Hz 10A (3-pin plug)
Warranty	2 years parts and labour



FAB32
50'S STYLE RETRO REFRIGERATOR



PLEASE NOTE: drawings are not to scale. They are to assist only.
WARNING: technical specifications and product sizes can be varied by the manufacturer without notice.
Cutouts for appliances should only be by physical product measurements. The above information is indicative only.

FAB REFRIGERATION

FAB32
50'S STYLE RETRO REFRIGERATOR



FAB32LBLNA1
FAB32RBLNA1
black



FAB32LSVNA1
FAB32RSVNA1
silver



FAB32LCRNA1
FAB32RCRNA1
cream



FAB32LRDNA1
FAB32RRDNA1
red



FAB32LPGNA1
FAB32RPGNA1
pastel green



FAB32LPBNA1
FAB32RPRNA1
light blue



FAB32LLINA1
FAB32RLINA1
lime green



FAB32LPKNA1
FAB32RPKNA1
pink



FAB32LBENA1
FAB32RBENA1
royal blue



FAB32LORNA1
FAB32RORNA1
orange



FAB32LWHNA1
FAB32RWHNA1
white

L: left hinge | R: right hinge

ID170929