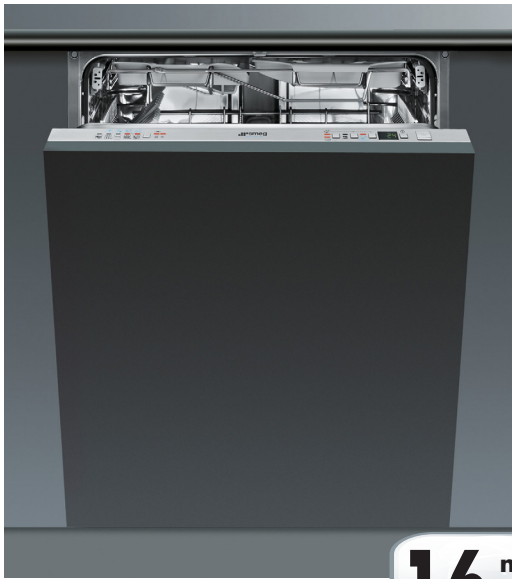


DWFIP364

smeg underbench dishwasher, Professional series



16 minute WASH *

*Please refer to table on page 2

EAN 8017709176846

size 600mmW x 820mmH x 570mmD
 capacity 15 placesettings
 programs 5 domestic: soak, normalEco, Eco, Auto 60°C, Ultraclean
 4 professional: Glass Pro, Ultra Rapid 16 min, Universal, Intensive
 wash temperatures range: 45-72°C
 automatic door opening option at end of cycle
 option for FlexiTabs
 delay timer 1–24 hr
 automatic soak by delayed start
 half-load option
 30cm plate diameter
 grey baskets with grey handles
 height-adjustable upper basket (3 levels)
 FlexiDuo upper cutlery tray
 cutlery basket with removable grid lids
 glass holder and EasyGlide system
 lower basket with completely foldable racks and glass holders
 orbital wash system
 stainless steel filter
 turbidity sensor — Aquatest
 self-balancing hinges
 noise 45 dBA (when installed)
 water 11.6 litres

single-phase power supply*			three-phase power supply*		
Power	kW	Fuse	Power	kW	Fuse
P3-max	5.45	1x32A	max	5.45	3x16A
P2-medium	3.5	1x20A			
P1-min	2.00	1x16A			

P3-max: factory setting

*MUST BE HARD WIRED

ORBITAL WASH SYSTEM

Smeg’s orbital wash system has two spray arms which operate simultaneously in opposite directions to ensure water is evenly distributed throughout the inner cavity for a perfect wash.

DELAY START TIMER

Delay Start option allows for up to 9-hours delay start — allowing you to take advantage of off-peak energy usage times.

TOTAL ACQUASTOP

Acquastop is a water safety device that operates when the dishwasher is not in operation by restricting mains pressure at the tap, and not at the dishwasher.



SAVE ON ENERGY AND PROTECT THE ENVIRONMENT

- always try to run the dishwasher full loaded
- do not wash dishes in running water
- use the washing program that is most appropriate for each type of load
- do not carry out any preliminary rinsing
- if available, connect the dishwasher to a hot water supply up to 60°C

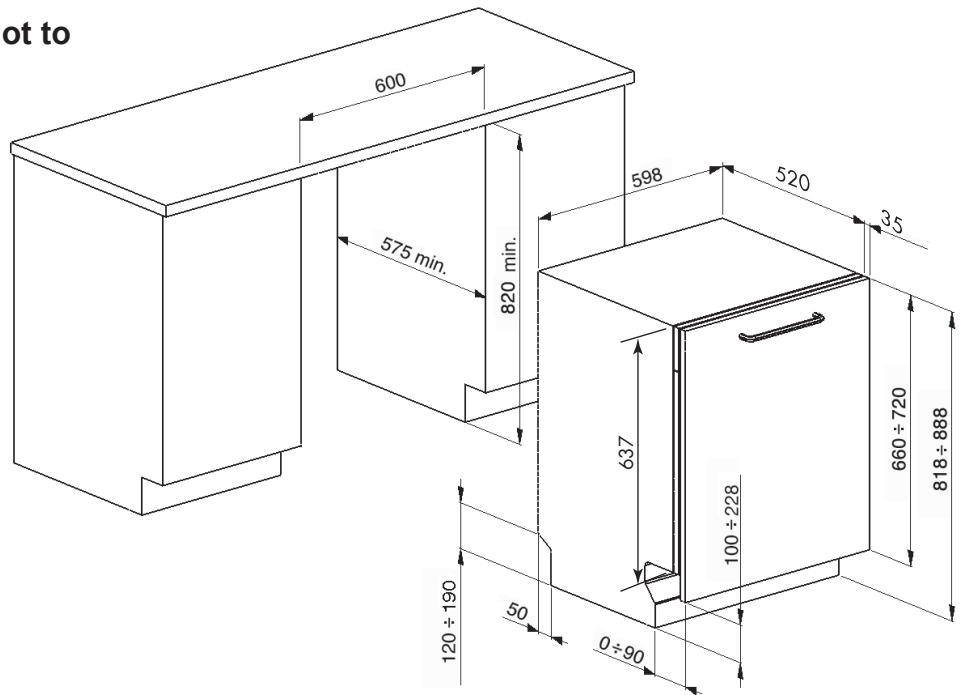
The phosphates contained in dishwasher detergents are harmful to the environment. To avoid using excessive amounts of detergent and to save on electricity, observe the following:

- separate the more delicate items from dishes that are more resistant to aggressive detergents and high temperatures;
- do not pour the detergent directly onto the dishes.



DWAFIP364 smeg underbench dishwasher, Professional series

PLEASE NOTE: drawings are not to scale. They are to assist only.



Program, number & symbol	Load crockery and cutlery	Duration for power 5.45 k/w – P3		Duration for power 3.5 k/w – P2		CONSUMPTION		
		hot water 60°C	cold water 15°C	hot water 60°C	cold water 15°C	water litres	(2) electricity (kWh)	
						hot water	cold water	
1 SOAK 	pans and dishes awaiting completion of load	15	15	15	15	4.0	0.02	0.02
2 NORMAL ECO 	glass, china and mixed dishes with light dirt	120	128	124	134	11.7	0.48	0.72
3 ECO 	dishes with normal dirt, with dried-on residue	114	119	116	124	10.5	0.72	1.17
4 AUTO 60-70 	pans and dishes with normal dirt, with dried-on residue	78	82	82	88	10.5	0.87	1.31
5 ULTRA CLEAN 	very dirty pans and dishes, with dried-on residue	115	120	119	128	17.3	0.93	1.69
6 PRO GLASSES 	special program for washing glasses	19	24	24	31	12	0.59	1.22
7 ULTRA RAPID 	very dirty pans and dishes, with dried-on residue, for fast washing	16*	20	19	25	12	0.68	1.46
8 UNIVERSAL 	dishes with normal dirt, with moist residue	23	27	27	33	12	0.82	1.53
9 INTENSIVE 	very dirty pans and dishes, with dried-on residue, for fast washing	41	45	45	52	15.7	0.77	1.59