

CVIA638RN2
82CM DOLCE STIL NOVO WINE CELLAR
RIGHT-HAND HINGE

MADE IN ITALY
Since 1948



EXTERNAL TEMPERATURE CONTROL

Smeg wine cellars feature a user-friendly touch-control display on the outside of the door glass, which allows access to change temperature, humidity and light without opening the door. This prevents changes in the internal temperature, reduces vibration and exposure to UV rays.

38 BOTTLE CAPACITY

Storage of up to 38 Bordeaux (750ml) bottles. Perfectly shaped housings provide ample storage for different shaped bottles including Champagne and magnums.

PREMIUM OAK SHELVES

Telescopic sliding oak shelves allow for easy placement, storage and removal. The smooth movement prevents disturbance of wine sediment. Made in Italy, these racks are crafted from the same oak as traditional wine barrels.

UV RESISTANT GLASS

Thanks to Smeg's Eclipse black-glass technology, wine is perfectly shielded. The layered glass protects wine from damaging light and gives maximum transparency. Solar light and UV rays can alter a wine's structure, ruining its balance and flattening its scent.

TWO VARIABLE TEMPERATURE ZONES

Two independent temperature zones can be set externally, at the correct temperature for storage of red, white and sparkling wine.

Dimensions	595mmW x 820mmH x 616mmD (excluding handle)
Finish	Black eclipse glass
Display	LED Display with External touch control
Warranty	Five years parts and labour

Colours Available



CVIA638RN2
Right Hinge



CVIA638LN2
Left Hinge



CVIA638RN2

82CM DOLCE STIL NOVO WINE CELLAR

RIGHT-HAND HINGE

MADE IN ITALY
Since 1948

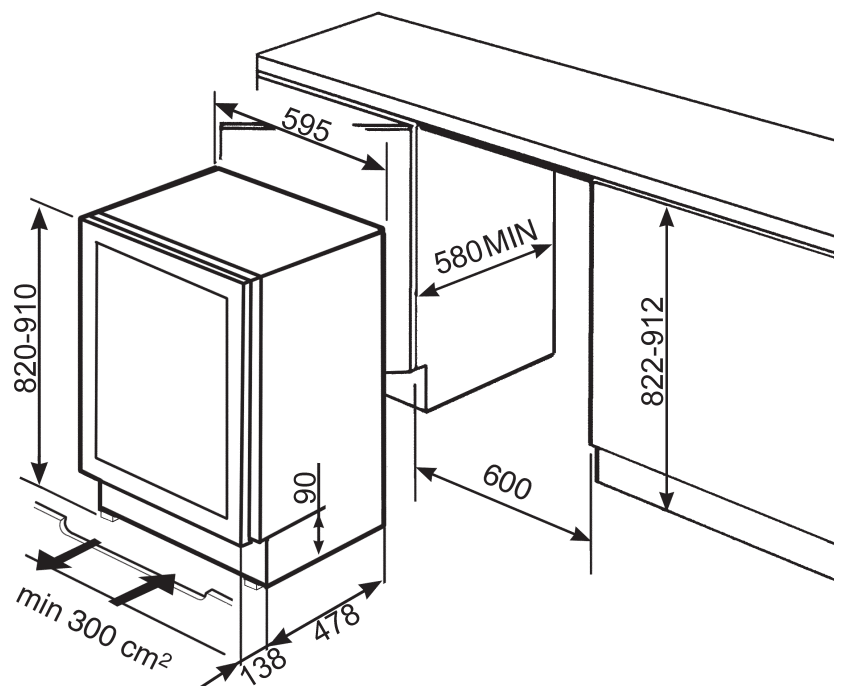
WINE CELLAR FEATURES

Dimensions	595mmW x 820mmH x 616mmD (excluding handle)
Finish	Black eclipse glass
Display	LED Display with External touch control
Capacity	38 bottles (750ml)
Door Type	Ergonomic handle UV resistant Eclipse Black Glass Double glazed
Shelves	3 x fixed wooden shelves 2 x removable wooden shelves on telescopic guide rails
Thermostat	5-20°C
Installation	Built under
Cooling	Fan-assisted
Air Filter	Active carbon filter
Lighting	LED internal light
Safety	Control lock Door open alarm
Power	220-240V, 50/60Hz 40W 0.4A Connection
Warranty	five years parts and labour



SUPPLIED ACCESSORIES

Telescopic guide rails



CVIA638RN2
82CM DOLCE STIL NOVO WINE CELLAR
RIGHT-HAND HINGE

MADE IN ITALY
Since 1948



Dimensions	595mmW x 820mmH x 616mmD (excluding handle)
Power	220-240V, 50/60Hz 40W 0.4A Connection
Warranty	Five years parts and labour

