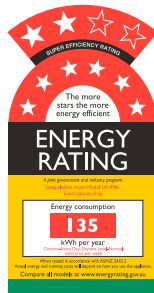


SAHP86

SMEG 8KG SENSOR CONTROLLED HEAT PUMP DRYER



AUTO ANTI-CREASING

Automatically follows drying cycle for crease-free ready to go clothing.



SOFT DRUM PATTERN

Non-abrasive design for better protection of clothes.



EAN 8690842034053

Finish	White, chrome and white door
Display	LCD (TFT)
Size	595mmW x 846mmH x 609mmD
Drum construction	Stainless steel
Capacity	8kg
Door	50cm, porthole: 39.5cm x 32cm, opening angle: 178°
Programs	16
Features	*Sensor controlled drying Heat pump drying technology Flexy sense drying system Encoder knob Remaining time indicator Time delay Adjustable end program sound Water tank full indicator Condenser cleaning indicator Filter cleaning indicator Auto anti-creasing Reverse drum action LED Interior drum light Direct drum Stacking kit"
Auxiliary functions	Dryness adjustment level
Energy Rating	139 kWh/year, 8 Star
Electrical input	220-240V/50Hz
Total current	10 amps
Safety	Child lock, Overheating temperature protection, Child lock indicator, Automatic drum stop when door open
Warranty	Two years parts and labour, ten years motor



DAILY PROGRAM

Only one hour to dry 4kg of laundry. Or, when used in conjunction with a Smeg washing machine, wash and dry in two hours.



REVERSE DRUM ACTION

For consistent drying and preventing creases.

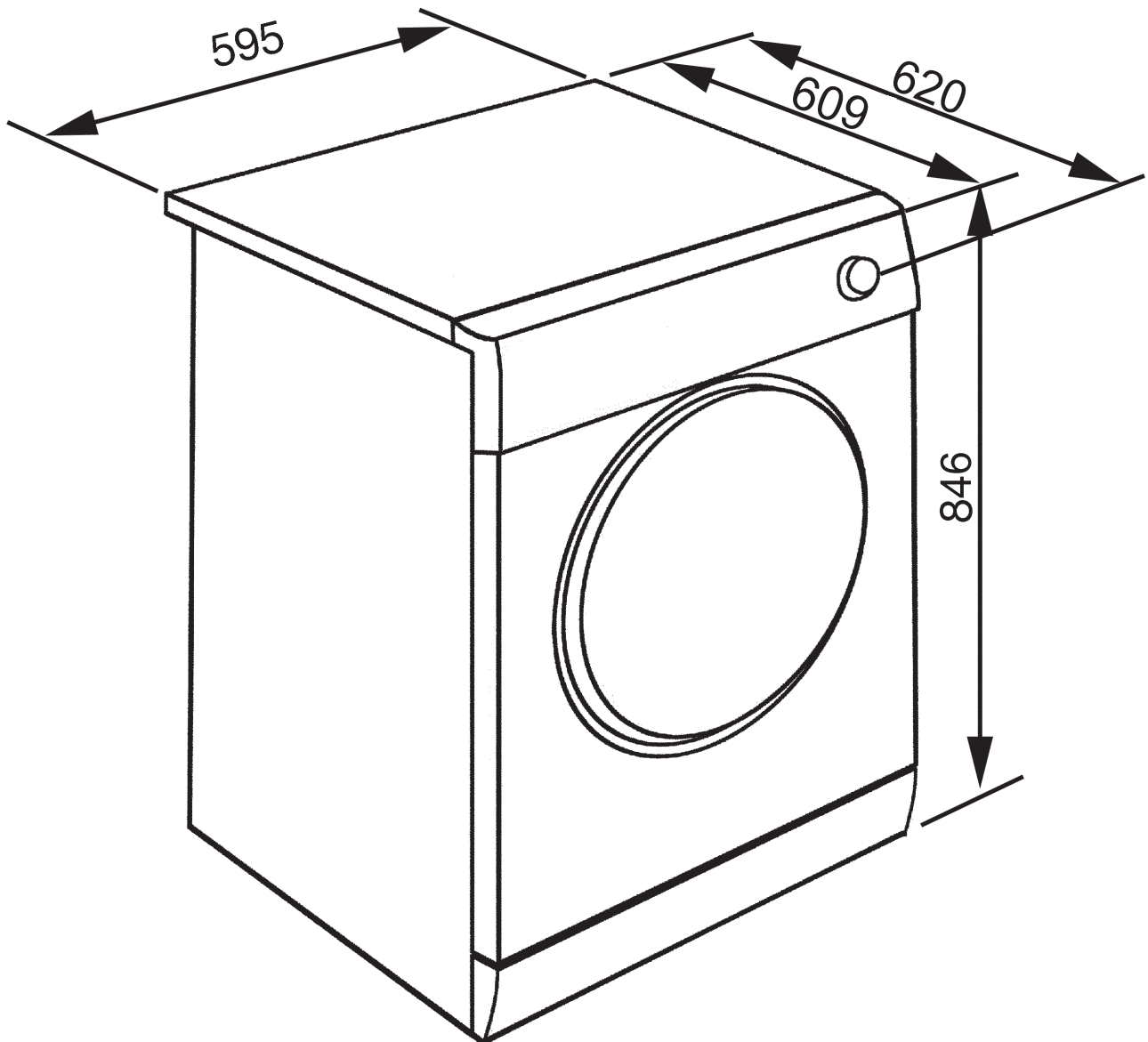


WOOLMARK

Tested and approved by The Woolmark Company for 'machine wash' labels. For best results follow manufacturer's instructions.



Pictured with Smeg SAWS8160 washing machine.



PLEASE NOTE: drawings are not to scale. They are to assist only.

WARNING: technical specifications and product sizes can be varied by the manufacturer without notice.

Cutouts for appliances should only be by physical product measurements. The above information is indicative only.

*Laundry appliances are only available via Agency Agreement, in selected retail appliance stores.

ID160812