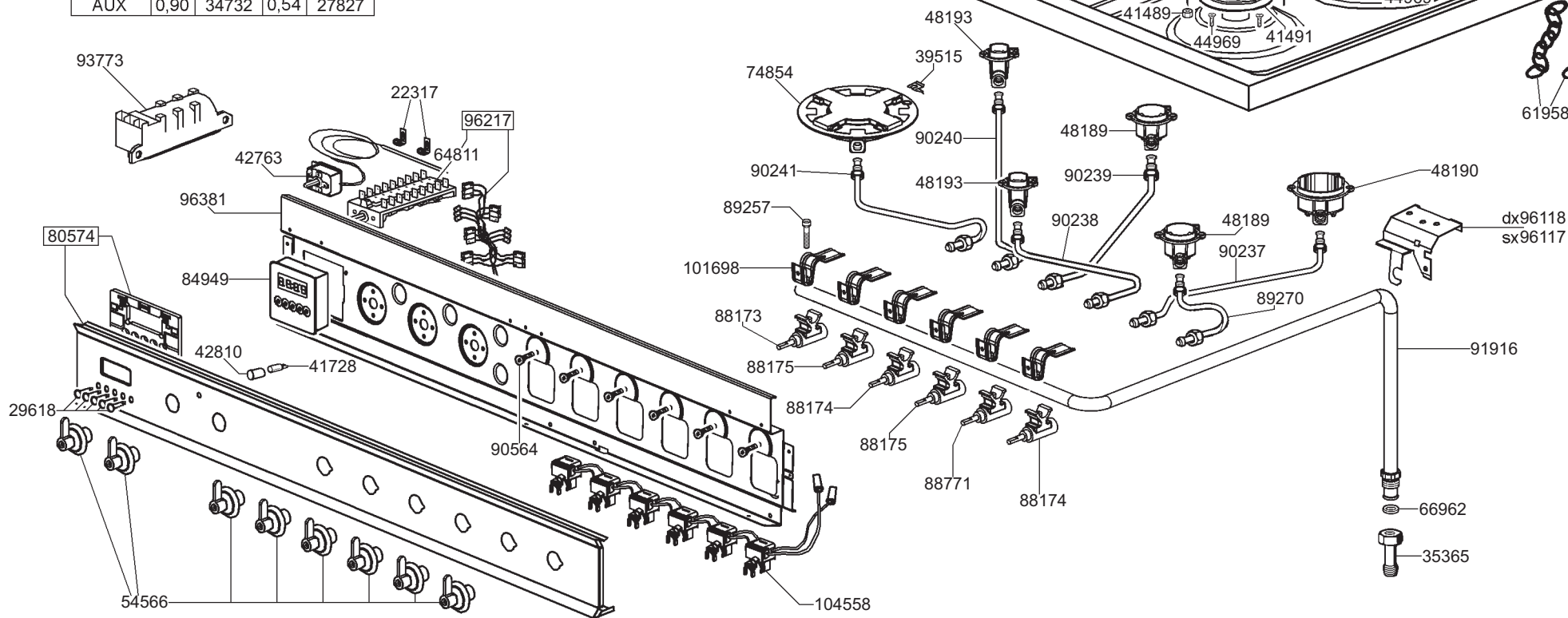


**NOZZLES TABLE**

BURNER	NATURAL GAS 1.0 kPa		ULPG 2,75 kPa	
	Ø	POS.	Ø	POS.
RAP	1,55	19500	0,88	49566
SRP	1,20	48213	0,68	43443
URP	1,85	77463	1,05	45257
AUX	0,90	34732	0,54	27827



RefNum	Code	Qty	Description	€	Data IN	Data OUT	New code	E
1114	696050220	2	LAMP HOLDER	0.00	11-05-2015			
1303	018291878	1	WALL FIXING BRACKET	0.00	20-01-2017			
1361	485470379	1	OVEN FRONT PART	0.00	11-05-2015			
2837	698590983	1	TELESCOPIC OVEN GUIDE	0.00	11-05-2015			
5008	795210954	2	VENTILATOR MOTOR	0.00	11-05-2015			
5851	032210194	1	LOWER MATTRESS COVERING	0.00	11-05-2015		ESAURO	Y
9193	692051055	1	OVEN INNER DOOR	0.00	11-05-2015		692051090	
11292	848591058	1	RIGHT GUIDES FRAME	0.00	11-05-2015			
11309	848591057	1	LEFT GUIDES FRAME	0.00	11-05-2015			
11315	806890840	1	HEATER UPPER+GRILL	0.00	11-05-2015			
15592	485651870	1	OVEN BOTTOM	0.00	11-05-2015			
18939	824610176	2	LAMP 25W 230V 300°C	0.00	04-12-2014			
19500	909010251	1	NOZZLE ULTRA-RAPID NATURAL GAS, D. 1,55	0.00	11-05-2015			
20516	873890148	4	RING-NUT SIDE GUIDES DEFLECTOR T51333E	0.00	11-05-2015			
22317	895090304	2	CLIP BULB FIXING ALFA10	0.00	11-05-2015			
23778	754010077	2	PAD FACING A60N	0.00	11-05-2015			
24370	874971336	8	KNOB OVEN, CHROME-PLATED S10X	0.00	11-05-2015		ESAURO	Y
24679	899370893	4	SCREW CAGE 5M INOX 430 FOR DEFLECTOR AND	0.00	11-05-2015			
27827	909010324	2	NOZZLE ULTRA-RAPID LPG, D. 0,54	0.00	11-05-2015			
29618	764972158	5	KNOB PROGRAMMER, BLACK SE708NE	0.00	11-05-2015			
29757	925030057	1	TRADEMARK SMEG ALFA100X	0.00	11-05-2015		925030038	
34732	909010364	2	NOZZLE LPG DIAMETER 0,90 NZ634EWP	0.00	11-05-2015			
35365	876650159	1	FITTING REDUCTION SNZ340GSS	0.00	11-05-2015			
36340	178610256	2	TERMINAL DOOR HANDLE, SATIN-FINISHED	0.00	11-05-2015			
39515	895090487	1	THERMOCOUPLE SPRING SR574X	0.00	11-05-2015			
41194	897210255	2	WASHER UNDERCOMPARTMENT D 5-SV53	0.00	11-05-2015			
41489	902610252	5	NUT FOR THERMOCOUPLE M6 HEIGHT 3,5MM	0.00	11-05-2015			
41490	878010083	2	FLAME DIFFUSER AUXILIARY	0.00	11-05-2015			
41491	878010084	2	FLAME DIFFUSER SEMI-RAPID	0.00	11-05-2015			
41492	878010085	1	FLAME DIFFUSER RAPID	0.00	11-05-2015			
41664	895092500	2	SPRING LINER SB91VJY	0.00	11-05-2015			
41710	030890041	1	FLUE CB91VGY	0.00	11-05-2015			
41728	824610533	1	LED 9060T/P	0.00	11-05-2015			
41736	018412079	1	MOUNT CONNECTORS 9060T	0.00	11-05-2015			
41828	806890394	1	ELEMENT CERAMIC RS470	0.00	11-05-2015			
42040	201050695	2	BURN.CAP SEMI-RAPID ENAMEL BLACK	0.00	11-05-2015			
42041	201050694	2	BURN.CAP AUXILIARY ENAMEL BLACK	0.00	11-05-2015			
42042	201050696	1	CAP RAPID ENAMEL BLACK 0809/3.3	0.00	11-05-2015			
42763	818730616	1	THERMOSTAT OVEN CB911VM	0.00	11-05-2015			
42810	763870139	1	LED ORANGE CB921VM	0.00	11-05-2015			

RefNum	Code	Qty	Description	€	Data IN	Data OUT	New code	E
43443	909010489	2	NOZZLE DIAMETER 068 FISH BURNER G30	0.00	11-05-2015			
43480	818730640	1	THERMOSTAT SAFETY 180°C SB91VM	0.00	11-05-2015			
43991	754131050	1	GASKET OVEN SUK91MFX	0.00	11-05-2015			
44969	899371369	10	SCREW M3X8 T8 TSC A4 TORX	0.00	11-05-2015			
45257	909010496	1	NOZZLE NATURAL GAS, D. 1,05	0.00	11-05-2015			
45823	795210359	1	MOTOR ROTISSERIE S980X	0.00	11-05-2015			
46919	712770895	1	THERMOINSULATING DISC A3	0.00	11-05-2015			
48189	872290031	2	BODY SEMI-RAPID BURNER D1,20 SA9065	0.00	11-05-2015			
48190	872290032	1	BODY RAPID BURNER D1,55 SA9065	0.00	11-05-2015			
48193	872290035	2	BODY AUXILIARY BURN.D. 0,90	0.00	11-05-2015			
48213	909010570	2	NOZZLE DIAMETER 120 X238 SA9065	0.00	11-05-2015			
48371	899371285	2	SCREW FOR HANDLE HOSE FIXING	0.00	11-05-2015			
48392	848412351	1	MOUNT SIDE ROTISSERIE SX91VG	0.00	11-05-2015			
49355	846970038	1	REDUCTION PAN STAND CAST IRON GGB60	0.00	11-05-2015	08-06-2017		
49355	846970091	1	WIK GRID ADAPTER	0.00	09-06-2017			
49566	909010567	1	NOZZLE DIAMETER 0,88 X238 SA9065	0.00	11-05-2015			
50207	754010117	12	PAD CILD4 2/10X2 5 GO120	0.00	11-05-2015		754010121	
50386	018290515	2	BRACKET SMALL OVEN HINGE DO10PSS	0.00	11-05-2015			
51803	694930739	1	ASSEMBLY HANDLE DOOR SUK91MFX	0.00	11-05-2015			
54566	694975086	8	ASSEMBLY KNOB BURNER SUK61MFX	0.00	11-05-2015			
56615	695050250	1	ASSEMBLY REAR LINER SX91VG-5	0.00	11-05-2015			
56617	785050276	2	LINER SIDE CX61VML-5	0.00	11-05-2015			
56618	013850185	4	HOOK LINER CX61VML	0.00	11-05-2015			
56619	785050301	1	LINER UPPER SUK91MFX-5	0.00	11-05-2015		ESAURO	Y
56620	035480174	1	OVEN ELECTRIC LOWER SECTION SUK91MF	0.00	11-05-2015			
56621	785050304	1	LINER LOWER SUK91MFX-5	0.00	11-05-2015			
56874	011810196	1	DUCT FAN SCD91CMFX	0.00	11-05-2015			
57287	818731188	1	TANGENTIAL THERMOSTAT 90°C	0.00	11-05-2015			
58082	899371472	2	SCREW	0.00	11-05-2015			
58935	948650127	1	THERMOCOUPLE JACK CONNECTION MM.650	0.00	11-05-2015	01-12-2016		
58935	948650244	1	THERMOCOUPLE MM.650	0.00	02-12-2016			
58936	948650128	3	THERMOCOUPLE JACK CONNECTION MM.450	0.00	11-05-2015	01-12-2016	948650127	
58936	948650245	3	THERMOCOUPLE MM.450	0.00	02-12-2016			
58937	948650129	1	THERMOCOUPLE JACK CONNECTION MM.300	0.00	11-05-2015	01-12-2016	948650127	
58937	948650246	1	THERMOCOUPLE MM.300	0.00	02-12-2016			
61958	171210008	2	FIXING CHAIN	0.00	11-05-2015			
64054	695050405	1	OVEN INSULATING MATTRESS	0.00	11-05-2015			
64088	895092653	2	ISUL.MATTRESS SPRING	0.00	11-05-2015			
64811	811730326	1	SELECTOR SWITCH	0.00	11-05-2015			
65463	902610341	1	NUT FOR THERMOCOUPLE ULTRARAPID 2 WAYS	0.00	11-05-2015			



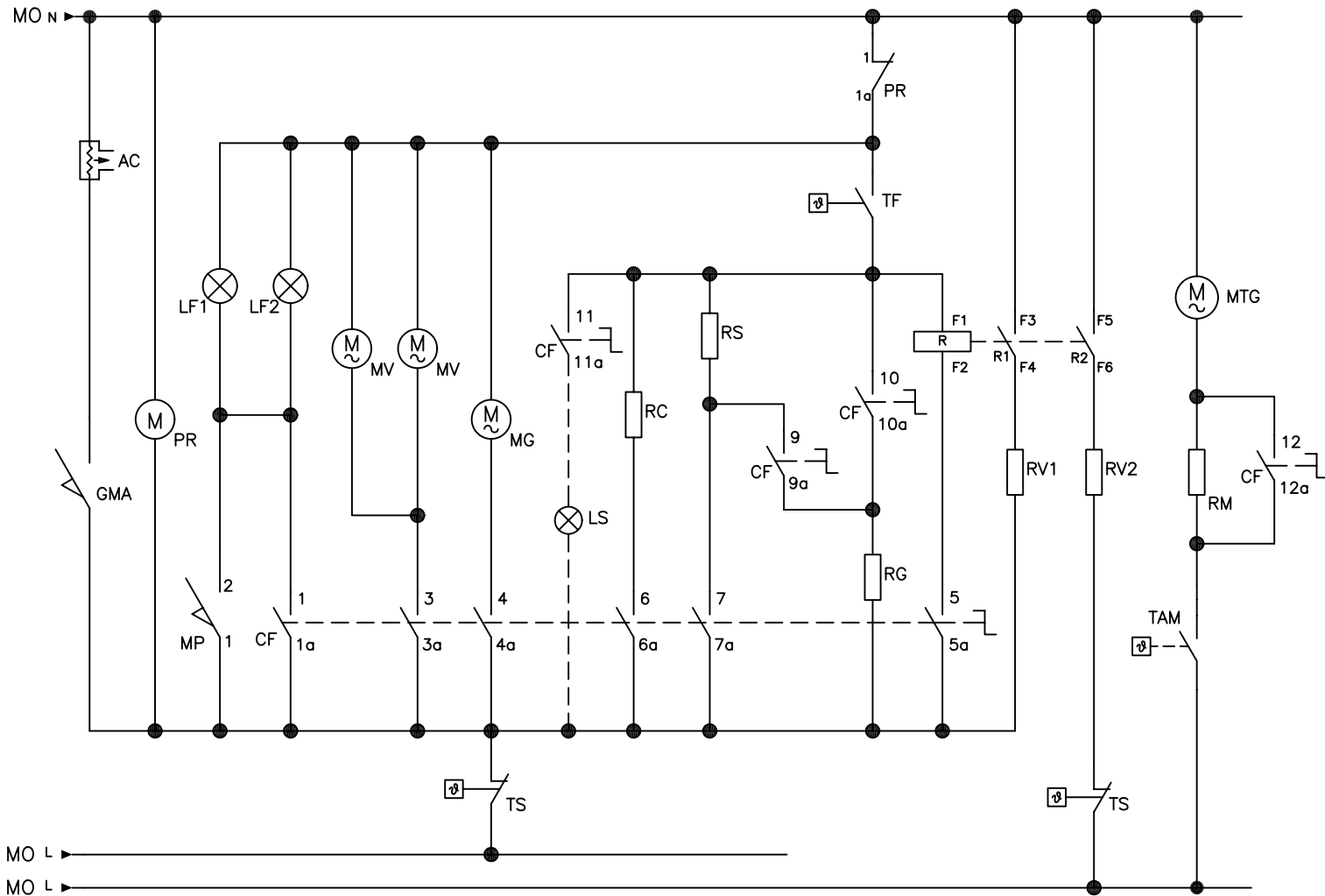
RefNum	Code	Qty	Description	€	Data IN	Data OUT	New code	E
66130	762371692	1	MICRO SWITCH FRAME	0.00	11-05-2015			
66133	902610342	2	FAN MOTOR NUT	0.00	11-05-2015			
66203	814490636	1	MICRO SWITCH	0.00	11-05-2015			
66626	695210535	1	TANGENTIAL FAN MOTOR OVEN-COOKER	0.00	11-05-2015			
66962	754131475	1	GAS SEAL	0.00	11-05-2015			
70684	806890593	2	FAN HEATING ELEMENT	0.00	11-05-2015			
71414	065615347	1	HOB TOP	0.00	11-05-2015			
71450	948650148	1	THERMOCOUPLE TRC MM.750	0.00	11-05-2015			
71539	810930124	1	SPARK PLUG MM.900	0.00	11-05-2015			
73638	806890624	1	LOWER HEATING ELEMENT	0.00	11-05-2015			
74854	872290077	1	TRIPLECROWN CUP D.1,55	0.00	11-05-2015			
77041	846970058	1	REDUCTION PAN STAND	0.00	11-05-2015			
77463	909010754	1	NOZZLE D.1,85	0.00	11-05-2015			
78181	018413718	2	MOTOR SUPPORT	0.00	11-05-2015			
79146	480370499	2	OVEN PLATE	0.00	11-05-2015			
79166	482691012	1	OVEN DEFLECTOR	0.00	11-05-2015			
79231	485510446	1	OVEN UPPER PART	0.00	11-05-2015			
79251	486930888	1	OVEN BACK PART	0.00	11-05-2015			
80014	039290137	2	FAN 7 VANES	0.00	11-05-2015			
80574	69373A001	1	FRONT CONTROL PANEL	0.00	11-05-2015			
81347	696136531	1	DRAWER DOOR ASSEMBLY	0.00	11-05-2015			
81846	931331388	2	OVEN DOOR HINGE	0.00	11-05-2015			
84949	816291316	1	PROGRAMMER	0.00	11-05-2015			
87252	878010096	1	TRIPLECROWN BURNER	0.00	11-05-2015			
87253	201050766	1	BURNER CAP TRC EXTERNAL	0.00	11-05-2015			
87254	201050767	1	BURNER CAP TRC INTERNAL	0.00	11-05-2015			
88173	957330620	1	TAP D.0,63	0.00	11-05-2015	22-10-2015		
88173	957330672	1	TAP D0,63	0.00	23-10-2015			
88174	957330621	2	TAP D.0,33	0.00	11-05-2015	25-10-2015	957330673	
88174	957330673	2	TAP D0,33	0.00	26-10-2015			
88175	957330622	2	TAP D.0,30	0.00	11-05-2015	22-10-2015		
88175	957330674	2	TAP D0,30	0.00	23-10-2015			
88176	810930152	2	SPARK PLUG MM.600	0.00	11-05-2015			
88534	810930151	2	SPARK PLUG MM.870	0.00	11-05-2015			
88535	810930153	1	SPARK PLUG MM.380	0.00	11-05-2015			
88771	957330623	1	TAP D.0,45	0.00	11-05-2015	26-11-2015		
88771	957330675	1	TAP D0,45	0.00	27-11-2015			
89257	899372038	6	SCREW FOR TAPS	0.00	11-05-2015			
89270	698973960	1	FRONT RIGHT BUNDY PIPE	0.00	11-05-2015			
90145	820732547	1	WIRING	0.00	11-05-2015			

RefNum	Code	Qty	Description	€	Data IN	Data OUT	New code	E
90237	698973964	1	BACK RIGHT BUNDY PIPE	0.00	11-05-2015			
90238	698973965	1	FRONT CENTRAL BURNER PIPE	0.00	11-05-2015			
90239	698973966	1	BACK CENTRAL BURNER PIPE	0.00	11-05-2015			
90240	698973967	1	BACK LEFT BUNDY PIPE	0.00	11-05-2015			
90241	698973968	1	FRONT LEFT BUNDY PIPE	0.00	11-05-2015			
90564	899370738	6	TAPS CROSSP.FIXING SCREW	0.00	11-05-2015			
90566	763450342	1	CABLE CLAMP	0.00	11-05-2015		691291108	
90593	018291225	2	WALL FIXING BRACKET	0.00	11-05-2015	30-06-2015		
90593	018291440	1	WALL FIXING BRACKET	0.00	01-07-2015	19-01-2017		
90593	013850381	1	BACK FIXING HOOK	0.00	01-07-2015			
91212	015730772	2	WALL FIXING PLATE	0.00	11-05-2015			
91916	696731211	1	GAS DISTRIBUTOR PIPE ASSY	0.00	11-05-2015			
93773	810020141	1	6 FIRES IGNITOR	0.00	11-05-2015			
96117	018291343	1	HOB BACK RIGHT BRACKET	0.00	11-05-2015			
96118	018291344	1	HOB BACK LEFT BRACKET	0.00	11-05-2015			
96217	690733516	1	WIRING+SWITCH ASSEMBLY	0.00	11-05-2015			
96308	692532988	1	DOOR EXTERNAL GLASS ASSY	0.00	11-05-2015			
96381	018936448	1	FRONT PANEL CROSSPIECE	0.00	11-05-2015			
96564	844091935	2	GRID	0.00	11-05-2015			
97020	690130395	1	REAR TOP SKIRTBOARD ASSY	0.00	11-05-2015			
97403	899372107	4	SCREW M4X8	0.00	11-05-2015			
97440	011091705	1	BACK CASING	0.00	11-05-2015			
98327	691291159	1	FEEDER CABLE ASSEMBLY	0.00	11-05-2015			
98333	513331748	2	WHITE SIDE PANEL	0.00	11-05-2015			
98335	485490222	1	OVEN SIDE PART	0.00	11-05-2015			
98760	694091945	3	GRID ASSEMBLY	0.00	11-05-2015			
98940	485490227	1	OVEN SIDE PART	0.00	11-05-2015			
100444	762810988	1	SPIT MOTOR SPACER	0.00	11-05-2015			
100507	785050526	1	SPIT MOTOR INSULAT.MATTR.	0.00	11-05-2015			
100612	698130121	1	SPIT ASSEMBLY	0.00	11-05-2015			
100956	173850400	2	OVEN DOOR HINGE HOOK	0.00	11-05-2015			
101698	018291547	6	TAPS FIXING BRACKET	0.00	11-05-2015			
102652	695470422	1	PLINTH FRONT PART ASSY	0.00	11-05-2015			
103124	825170405	1	JUNCTION BLOCK	0.00	11-05-2015			
103200	018414674	1	DUCT SUPPORT	0.00	11-05-2015			
104217	762810996	2	DOOR INNER SPACER	0.00	11-05-2015			
104558	694491073	1	MICRO-SWITCH ASSEMBLY	0.00	11-05-2015			
104740	690450315	1	BASE	0.00	11-05-2015			
105531	811660001	1	SPLIT ELECTRONIC UNIT	0.00	11-05-2015			
105821	695770494	4	FOOT	0.00	11-05-2015			

Model: C9GMB A1



RefNum	Code	Qty	Description	€	Data IN	Data OUT	New code	E
113359	763450403	2	SPARK PLUG CABLE FIXING	0.00	19-09-2016			

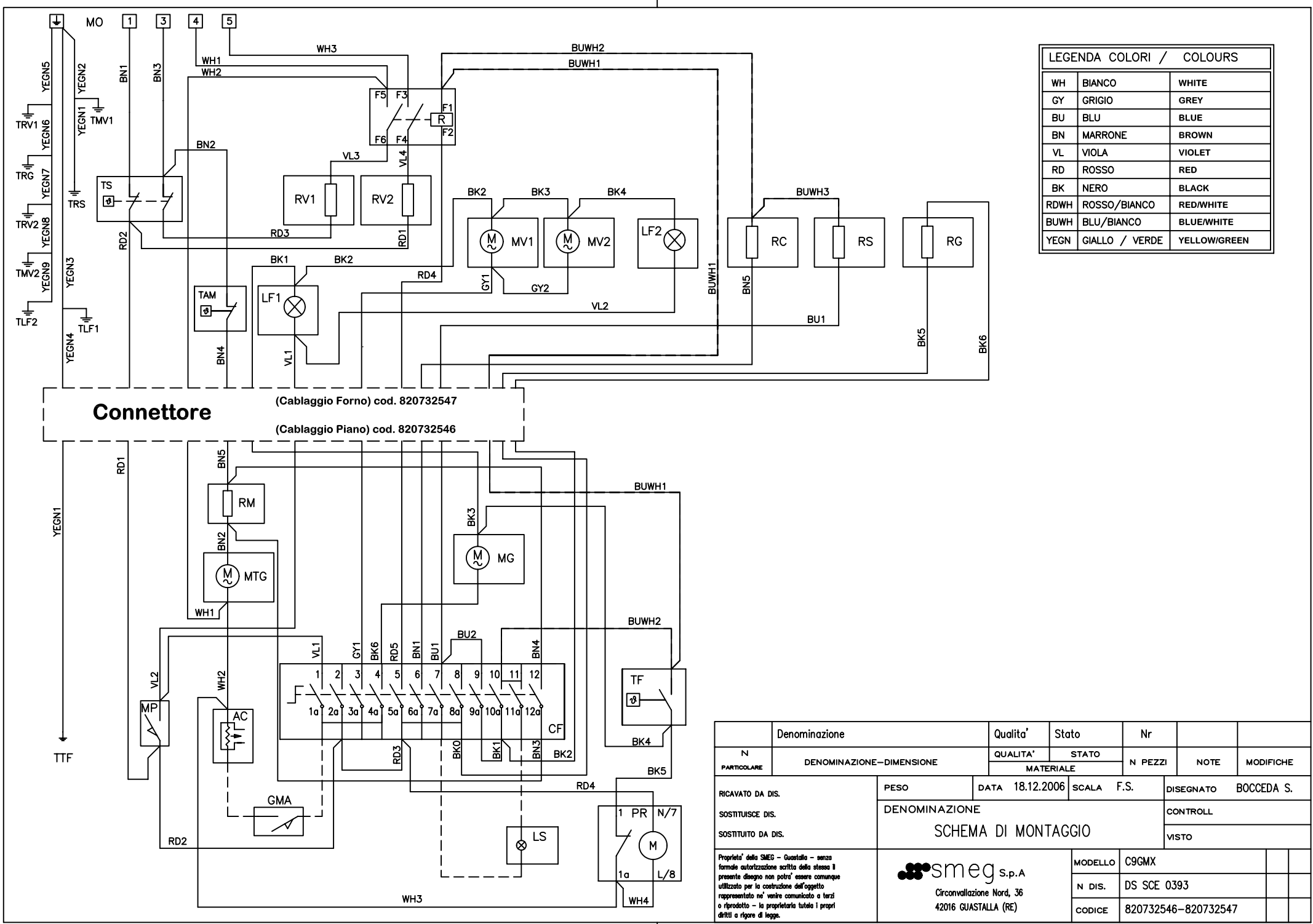


LEGENDA			
TS	Termostato di Sicurezza THERMAL CUT-OUT	GMA	Gruppo micro accensione SPARK IGNITER MICROSWITCH
TF	Termostato Forno OVEN THERMOSTAT	RS	Resistenza Suola LOWER HEATING ELEMENT
MV	Motoventilatore COOKING FAN MOTOR	RC	Resistenza Cielo UPPER HEATING ELEMENT
MTG	Motore Tangenziale COOLING FAN MOTOR	RG	Resistenza Grill BROIL-GRILL ELEMENT
		RM	Resistenza Tangenziale RESISTOR MOTOR
MO	Morsettiera TERMINAL STRIP	RV	Resistenza Ventilazione CIRCULAR HEATING ELEMENT
PR	Programmatore ELECTRONIC PROGRAMMER	MP	Micro Porta DOOR LIMIT SWITCH
CF	Commutatore funzioni SELECTOR SWITCH CONTACTS	LF	Lampada Forno OVEN LAMP
MG	Motore Girarosto TURN-SPIT DRIVE MOTOR	LS	Lampada Spia THERMOSTAT SIGNALLING LAMP
AC	Accenditore SPARK IGNITER	TAM	Termostato Avv. Motore COLLING FAN CONTROL THERMOSTAT

COMMUTATORE FUNZIONI B&S cod. 811730326												
POS.	1	2	3	4	5	6	7	8	9	10	11	12
0												
1	X					X	X	X			X	X
2	X						X	X			X	X
3	X	X		X				X		X	X	X
4	X					X				X	X	X
5	X	X	X			X				X	X	X
6	X	X	X		X					X		X
7	X	X	X		X						X	X
8	X	X	X								X	
	1a	2a	3a	4a	5a	6a	7a	8a	9a	10a	11a	12a

N	Denominazione	Qualita'	Stato	Nr		
PARTICOLARE	DENOMINAZIONE-DIMENSIONE	QUALITA'	STATO	N PEZZI	NOTE	MODIFICHE
RICAVATO DA DIS.	PESO	DATA 18.12.2006	SCALA	F.S.	DISEGNATO	BOCCEDA S.
SOSTITUISCE DIS.	DENOMINAZIONE				CONTROLL	
SOSTITUITO DA DIS.	SCHEMA ELETTRICO				VISTO	
<small>Proprietà della SMEG - Guastalla - senza formale autorizzazione scritta dello stesso il presente disegno non potrà essere comunque utilizzato per la costruzione dell'oggetto rappresentato né venire comunicato a terzi o riprodotto - la proprietà tutela i propri diritti a rigore di legge.</small>		S.p.A. Circovallazione Nord, 36 42016 GUASTALLA (RE)		MODELLO	C9GMX	
		N DIS.	DS SCE 0393			
		CODICE	820732546-820732547			





LEGENDA COLORI / COLOURS		
WH	BIANCO	WHITE
GY	GRIGIO	GREY
BU	BLU	BLUE
BN	MARRONE	BROWN
VL	VIOLA	VIOLET
RD	ROSSO	RED
BK	NERO	BLACK
RDWH	ROSSO/BIANCO	RED/WHITE
BUWH	BLU/BIANCO	BLUE/WHITE
YEGN	GIALLO / VERDE	YELLOW/GREEN

**Connettore**

(Cablaggio Forno) cod. 820732547

(Cablaggio Piano) cod. 820732546

Denominazione	Qualita'	Stato	Nr		
N	QUALITA'	STATO	N PEZZI	NOTE	MODIFICHE
PARTICOLARE	DENOMINAZIONE-DIMENSIONE		MATERIALE		
RICAVATO DA DIS.	PESO	DATA 18.12.2006	SCALA	F.S.	DESEGNAO BOCCEDA S.
SOSTITUISCE DIS.	DENOMINAZIONE			CONTROLL	
SOSTITUITO DA DIS.	SCHEMA DI MONTAGGIO			VISTO	
<small>Proprietà della SMEG - Guastalla - senza formale autorizzazione scritta dello stesso il presente disegno non potrà essere comunque utilizzato per la costruzione dell'oggetto rappresentato né venire comunicato a terzi o riprodotto - la proprietà tutela i propri diritti a rigore di legge.</small>			S.p.A Circonvallazione Nord, 36 42016 GUASTALLA (RE)		MODELLO C9GMX N DIS. DS SCE 0393 CODICE 820732546-820732547